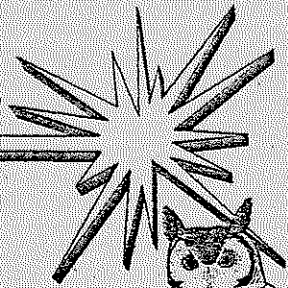
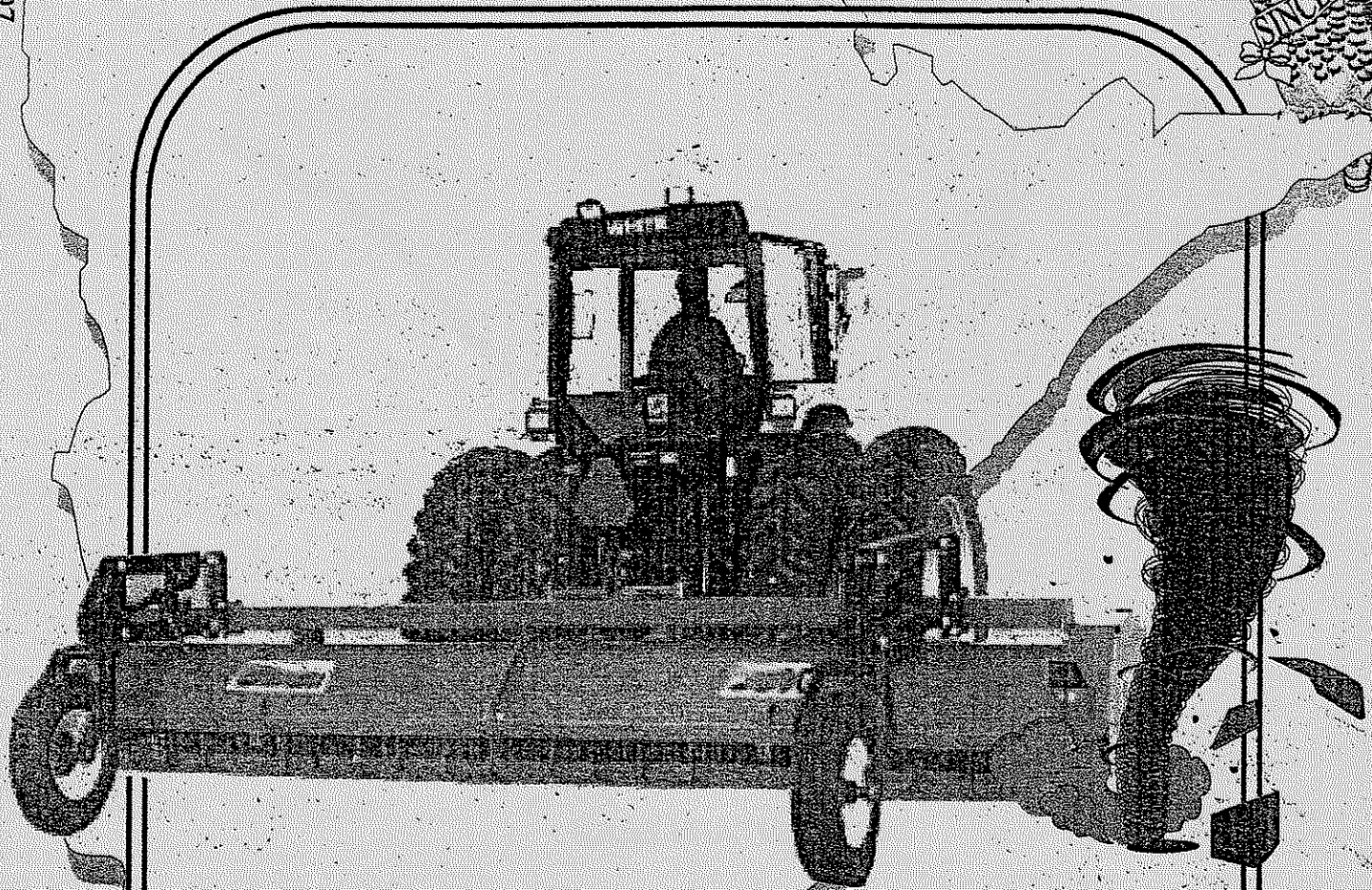


# BALZER INC.



March 1997

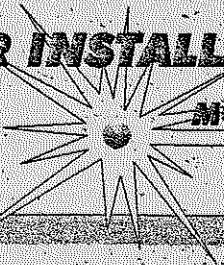


CONVENTIONAL SHREDDER PULL TYPE,  
FULL & SEMI-MOUNT

MODELS: 2200 - 2400 - 2500 - 2650

**OWNER'S MANUAL**  
**FOR INSTALLATION, OPERATION & MAINTENANCE**

**MOUNTAIN LAKE**





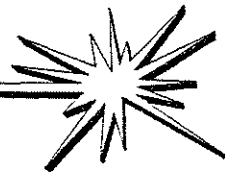
# CONVENTIONAL SHEDDER PULL TYPE, FULL & SEMI-MOUNT MODELS: 2200, 2400, 2500, 2650

## TABLE OF CONTENTS

|                             |       |
|-----------------------------|-------|
| To The Purchaser.....       | Pag 4 |
| Warranty.....               | 5     |
| Safety Section.....         | 6     |
| Operation.....              | 9     |
| Set-Up & Assembly.....      | 10    |
| Operation.....              | 12    |
| Service & Lubrication.....  | 13    |
| Service Parts Ordering..... | 14    |

### Reference Drawings for Service Parts

|   |    |
|---|----|
| Main Housing Models 2200-2400-2500.....                           | 15 |
| Main Housing Models 2650.....                                     | 16 |
| Belt Tightener 10" <sup>2</sup> .....                             | 17 |
| Drive Line Assembly Models 2200-2500.....                         | 18 |
| Drive Line Assembly Models 2650.....                              | 19 |
| Rockshaft.....  | 20 |
| Hinging Guard & Rod.....  | 21 |
| Knife Options.....  | 22 |
| Pull Type Hitch.....  | 23 |
| Ratchet Jack Assembly.....  | 24 |
| Jack Stand.....   | 25 |
| Caster Arm Assembly.....  | 26 |
| Full Mount Parts Conventional Shredder 2200-2650.....             | 27 |
| Semi- Mount Parts 2200 - 2650.....                                | 28 |
| Wheel Arm Assembly Removable.....                                 | 29 |
| 10" Dia. Cylinder Assembly Models 2200 - 2650.....                | 30 |
| 10" Dia. Cylinder Assembly Models 2200 - 2650 Parts list.....     | 31 |
| 1-3/8-21 PTO RA2 (1000 RPM) - Pull Type Unit -.....               | 32 |
| 1-3/8-20 PTO RA2 (1000 RPM) - Pull Type Unit -.....               | 33 |
| 1-3/8-21 CV PTO RA2 - Pull Type Unit - (1000 RPM).....            | 34 |
| 1-3/4-20 CV PTO RA2 - Pull Type Unit - (1000 RPM).....            | 35 |
| 1-3/4-20 PTO RA2 (1000 RPM) - Semi Mount + Pull Type Unit -.....  | 36 |
| Gearbox - 1000 RPM (1:1 Ratio) 1500 Rotor Speed.....              | 37 |
| Gearbox - 1000 RPM (1:1.35 Ratio) 2000 Rotor Speed.....           | 38 |
| Gearbox - 1000 RPM (1:1.47 Ratio) 1750 Rotor Speed.....           | 39 |
| 1-3/8-21 CV PTO RA2 - Pull Type Unit - Semi Mount (1000 RPM)..... | 40 |



## **WARRANTY MANUFACTURER**

Dealer or Distributor understands and agrees that Manufacturer extends only the following Warranty to customers. In the event Dealer or Distributor extends any additional warranty (such as by enlarging the scope or period of warranty or undertaking a warranty of merchantability or fitness for any particular purpose) or any other obligation whatsoever. Dealer or Distributor shall: (1) be solely responsible therefor; (2) have no recourse against Manufacturer thereof; and (3) defend, indemnify and hold Manufacturer harmless against any claim or cause of action whatsoever arising out of, or occasioned by, Dealer or Distributor's extension of said additional warranty or obligation.

## **CERTIFICATE OF GENERAL EQUIPMENT WARRANTY**

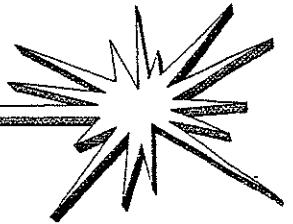
Balzer Inc. warrants new Products sold by it to be free from defects in material or workmanship for a period of one (1) year after date of delivery to the first user and subject to the following conditions. Balzer Inc.'s obligation and liability under this Warranty is expressly limited to repairing or replacing at Balzer Inc.'s option, any parts which appear to Balzer Inc. upon inspection to have been defective in material or workmanship. Such parts shall be provided at no cost to user, at the business establishment of the authorized Balzer Inc.'s dealer or distributor of the Product during regular working hours. This Warranty shall not apply to component parts or accessories of Products not manufactured by Balzer Inc. and which carry the warranty of the manufacturer thereof, or to normal maintenance (such as tune-up) or normal maintenance parts (such as oil filters). Replacement or repair parts installed in this Product covered by this Warranty are warranted only for the remainder of this Warranty as if such parts were original components of said Product. **BALZER INC. MAKES NO OTHER WARRANTY, EXPRESS OR IMPLIED, AND MAKES NO WARRANTY OF MERCHANTABILITY OR FITNESS FOR ANY PARTICULAR PURPOSE.**

Balzer Inc.'s obligation under this Warranty shall not include any transportation charges, cost of installation, duty taxes or any other charges whatsoever, or any liability for direct, indirect, incidental or consequential damage or delay. If requested by Balzer Inc. Products or parts for which a warranty claim is made are to be returned transportation prepaid to Balzer Inc. Any improper use, including operation after discovery of defective or worn parts, operation beyond rated capacity, substitution or parts not approved by Balzer Inc. or any alteration or repair by others in such manner as in Balzer Inc.'s judgment affects the Products materially and adversely, shall void this Warranty.

**"NO EMPLOYEE OR REPRESENTATIVE IS AUTHORIZED TO CHANGE THIS WARRANTY IN ANY WAY OR GRANT ANY OTHER WARRANTY UNLESS SUCH CHANGE IS MADE IN WRITING AND SIGNED BY AN OFFICER OF BALZER INC. AT ITS HOME OFFICE."**

## **LIABILITY FOR DELAYS**

No liability shall attach to Manufacturer or direct, or indirect, incidental or consequential damages or expenses due to loss, damage, detention or delay in delivery of Products resulting from acts or delays beyond its control.



**⚠ WARNING**

- KEEP ALL SHIELDS IN PLACE.
- STOP ENGINE BEFORE LEAVING OPERATOR'S POSITION TO ADJUST, OIL, CLEAN OR UNBLOCK MACHINES, UNLESS OTHERWISE SPECIFICALLY RECOMMENDED IN THE 'OPERATOR'S MANUAL'.
- WAIT FOR ALL MOVEMENT TO STOP BEFORE SERVICING THE MACHINE.
- KEEP HANDS, FEET, AND CLOTHING AWAY FROM POWER DRIVEN PARTS.
- KEEP OFF EQUIPMENT UNLESS SEAT OR PLATFORM FOR OPERATIONS AND OBSERVATION IS PROVIDED.
- KEEP ALL OTHERS OFF.
- USE FLASHING WARNING LIGHTS WHEN OPERATING ON HIGHWAYS EXCEPT WHEN PROHIBITED BY LAW.
- MAKE CERTAIN EVERYONE IS CLEAR OF MACHINE BEFORE STARTING ENGINE OR OPERATION.

10744  
"WARNING"

**⚠ DANGER**

**MOVING PARTS HAZARD**

- Keep hands, clothing, and hair away from moving belts and parts.
- Replace guard before operating.

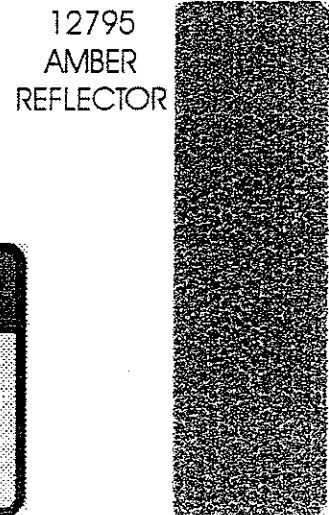
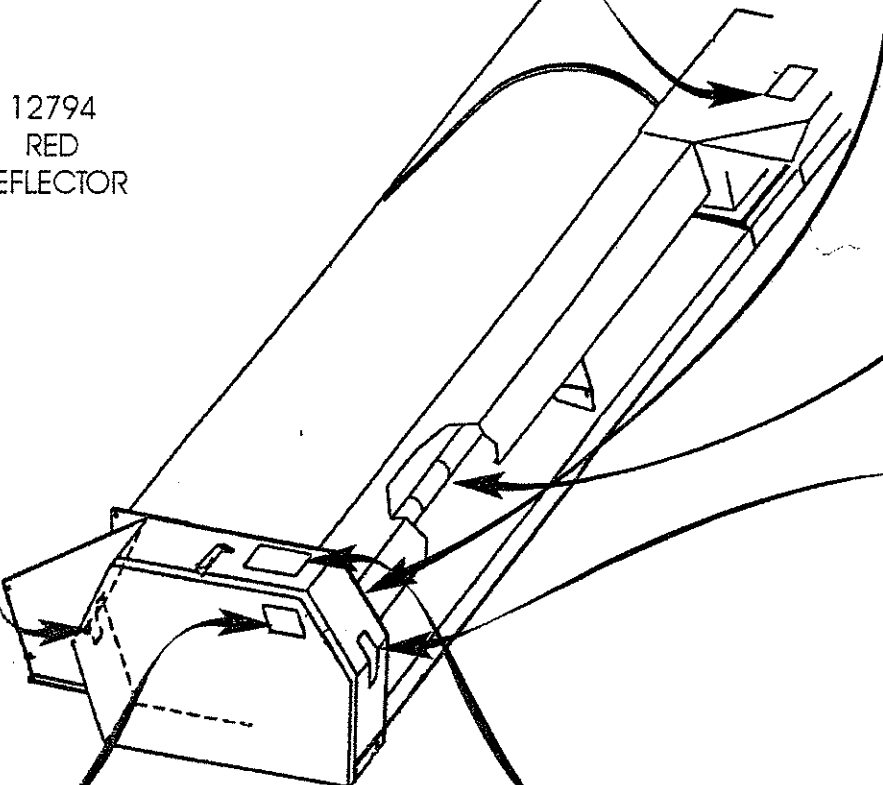
21730  
"DANGER"

**⚠ DANGER**

**ROTATING DRIVELINE**  
CONTACT CAN CAUSE DEATH  
**KEEP AWAY**  
DO NOT OPERATE WITHOUT

- all driveline guards, tractor and equipment shields in place
- drivelines securely attached at both ends
- driveline guards that turn freely on driveline

15295  
"DANGER"



**⚠ WARNING**

**MOVING PARTS HAZARD**

Can crush or dismember hands and fingers.

Do not operate machine with guard removed.

8154  
"WARNING"

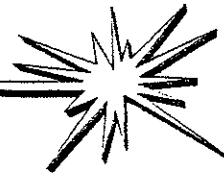
**⚠ DANGER**

**STOP:** WAIT FOR ALL MOVEMENT TO STOP BEFORE SERVICING OR OPENING OF SHIELDS.

**LOOK:** THE IGNITION KEY IS REMOVED.

**LISTEN:** FOR ALL MOVEMENT TO STOP, ROTATING PARTS CONTINUE TO ROTATE AFTER POWER IS SHUT OFF.

14175  
"DANGER"



## IMPORTANT INFORMATION



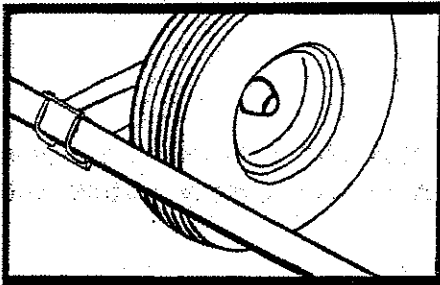
If shredder must be off the ground to install any equipment, be sure to safely block it up. Be certain that entire area is safe before doing any maintenance.

## WHEEL ARM ASSEMBLY

Remove hardware bag from the box of parts. The bag contain hardware for attaching the two arms.

Position the wheel arms on the rockshaft, with the tire towards the either middle or out side for the desired row spacing.

**Tire should be inflated to 15-20 PSI**



## HYDRAULIC CYLINDER OR RATCHET JACK

Install a Standard agricultural 3x8 hydraulic cylinder compatible ratchet jack between the lug on rockshaft and the lug on top of the housing.

## HOSE STAND

Remove the right bolt from the top of the gearbox shield and install the hose stand. Run the hydraulic hoses through the tractor. The stand is located in the box of part.

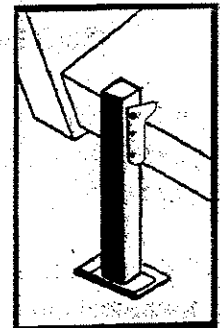
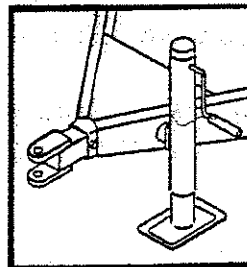
## RECOMMENDED TORQUE IN FOOT-POUNDS COARSE AND FINE THREAD GRADE 5 BOLTS

| DIA  | TORQUE | DIA  | TORQUE |
|------|--------|------|--------|
| 1/4  | 10     | 9/16 | 111    |
| 5/16 | 18     | 5/8  | 173    |
| 3/8  | 39     | 3/4  | 290    |
| 7/16 | 58     | 7/8  | 500    |
| 1/2  | 87     | 1    | 620    |

## IMPLEMENT JACK OR STAND

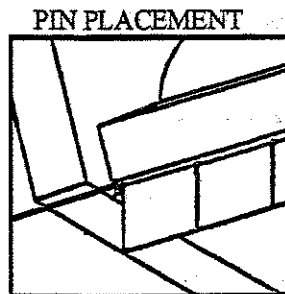
The implement jack or stands are in the box of parts. The implement jack is required on all pull type shredders. The jack stands are required on semi-mount & full shredders.

Install as shown in illustration below.



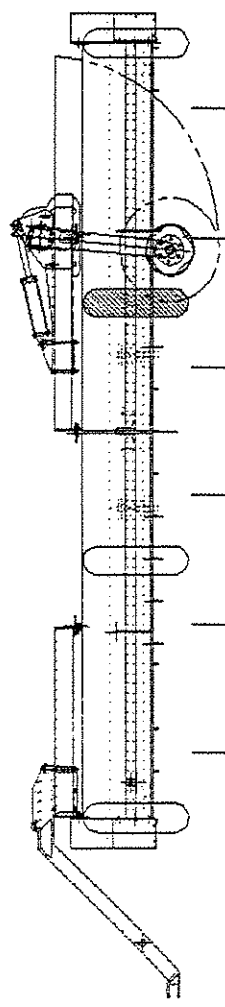
## HINGING GUARDS

Remove hinging guards and two roll pins from the box of parts, and locate the tow hinge rods. Each are about half the total length of the shredder. Install rods from the out side of the shredder in-ward. Slide one hinge rod halfway through the first tab while positioning a hinging guard between tabs. Slide rod through the guard and repeat until all are in place. Install roll pin between last tab and the end panel.

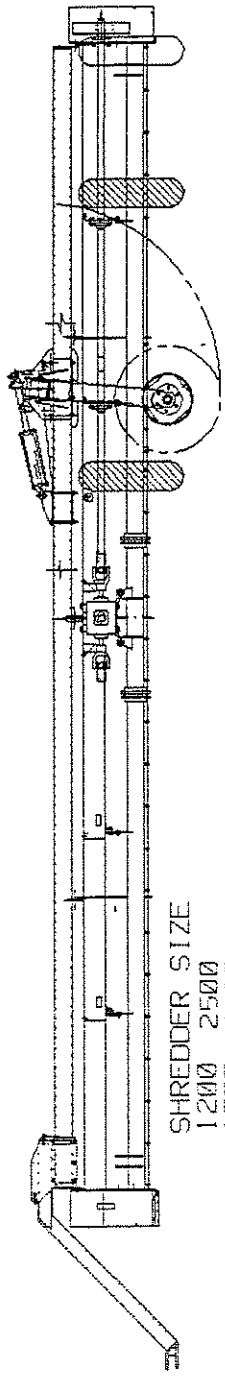


DATE BY APP  
7/9/08

NOTES  
RELEASE



SHREDDER SIZE  
1800  
2000



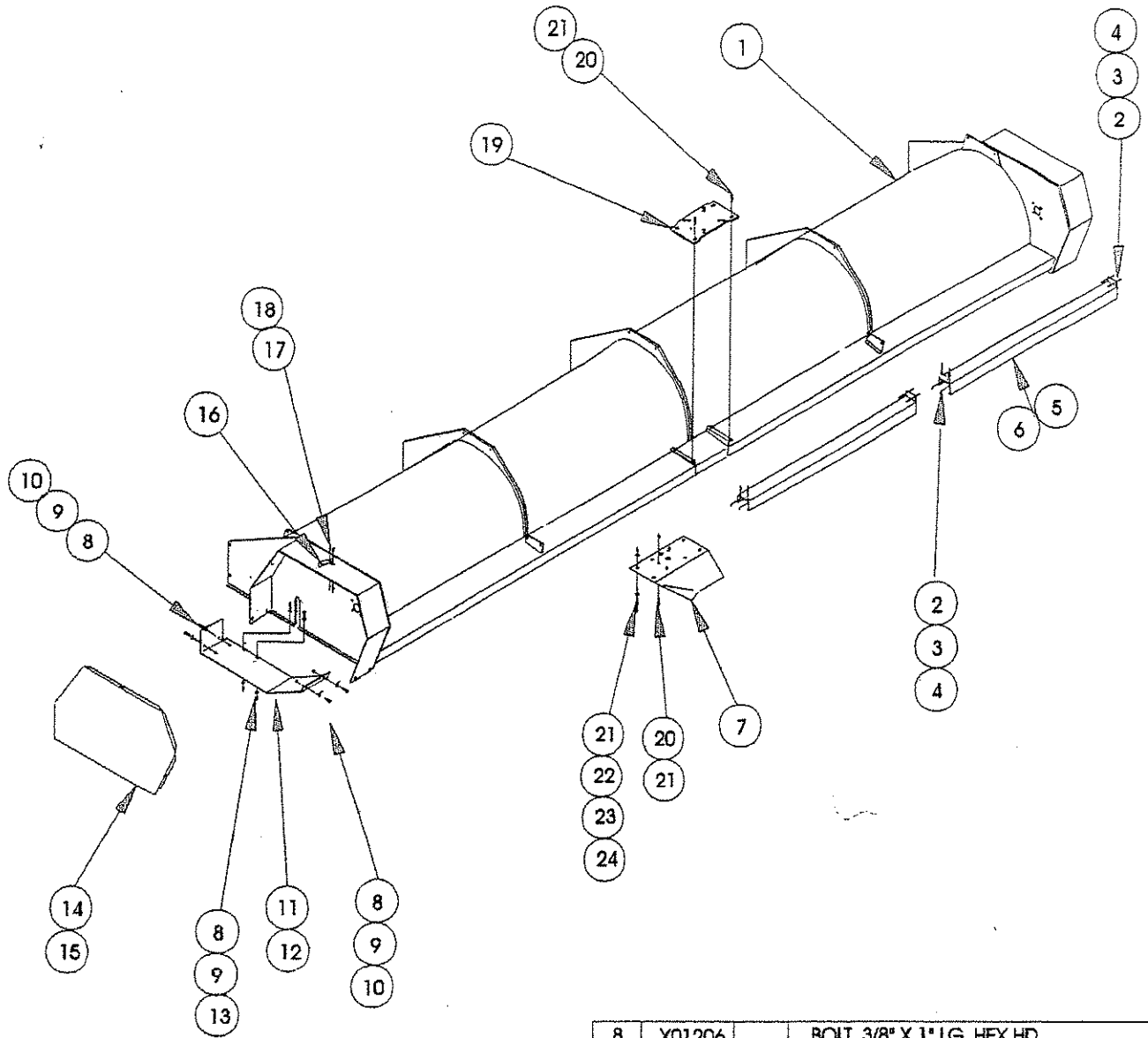
SHREDDER SIZE  
1200 2500  
1500 2650  
2200  
2400

| SHREDDER AND TRANSPORT COMPOSITE ASSEMBLY | SHREDDER SIZE (REFERENCE ONLY) | TRANSPORT INSTRUCTIONS | TRANSPORT ASSEMBLY | MOUNTING TUBE | MOUNTING TUBE FRONT | MOUNTING TUBE REAR | BOLT   | NUT     | WASHER   |
|---|--------------------------------|------------------------|--------------------|---------------|---------------------|--------------------|--------|---------|----------|
| 27850                                     | 1200                           | 29700                  | 27835              | 28415         |                     |                    | 129116 | 2546(6) | 1602(12) |
| 27851                                     | 1500                           | 29701                  | 27835              | 28416         |                     |                    | 129116 | 2546(6) | 1602(12) |
| 27852                                     | 1800                           | 29702                  | 27835              |               | 27837               | 27838              | 129118 | 2546(8) | 1602(16) |
| 27853                                     | 2000                           | 29703                  | 27830              |               | 27841               | 27843              | 129118 | 2546(8) | 1602(16) |
| 27854                                     | 2200                           | 29704                  | 27830              |               |                     |                    |        |         |          |
| 27855                                     | 2400                           | 29705                  | 27830              |               |                     |                    |        |         |          |
| 27856                                     | 2500                           | 29706                  | 27830              |               |                     |                    |        |         |          |
| 27857                                     | 2650                           | 29707                  | 27830              |               |                     |                    |        |         |          |

| ITEM   | QTY     | COMPONENT * | DESCRIPTION              |
|--|---------|-------------|--------------------------|
| WHERE USED:                                    |         |             |                          |
| TOL. UNLESS SPECIFIED                          | FAB .03 | WELD .06    | AXLES: PER STDS. MAIN #1 |
| BALZER INC. ARWAY RD EAST MONTICELLO, IN 46059 |         |             |                          |
| PART NAME: SHREDDER TRANSPORT COMPOSITE ASSY.  |         |             |                          |
| PART NO.                                       |         |             | 27850                    |

| OPER | W/C | DESCRIPTION |
|------|-----|-------------|
|      |     |             |

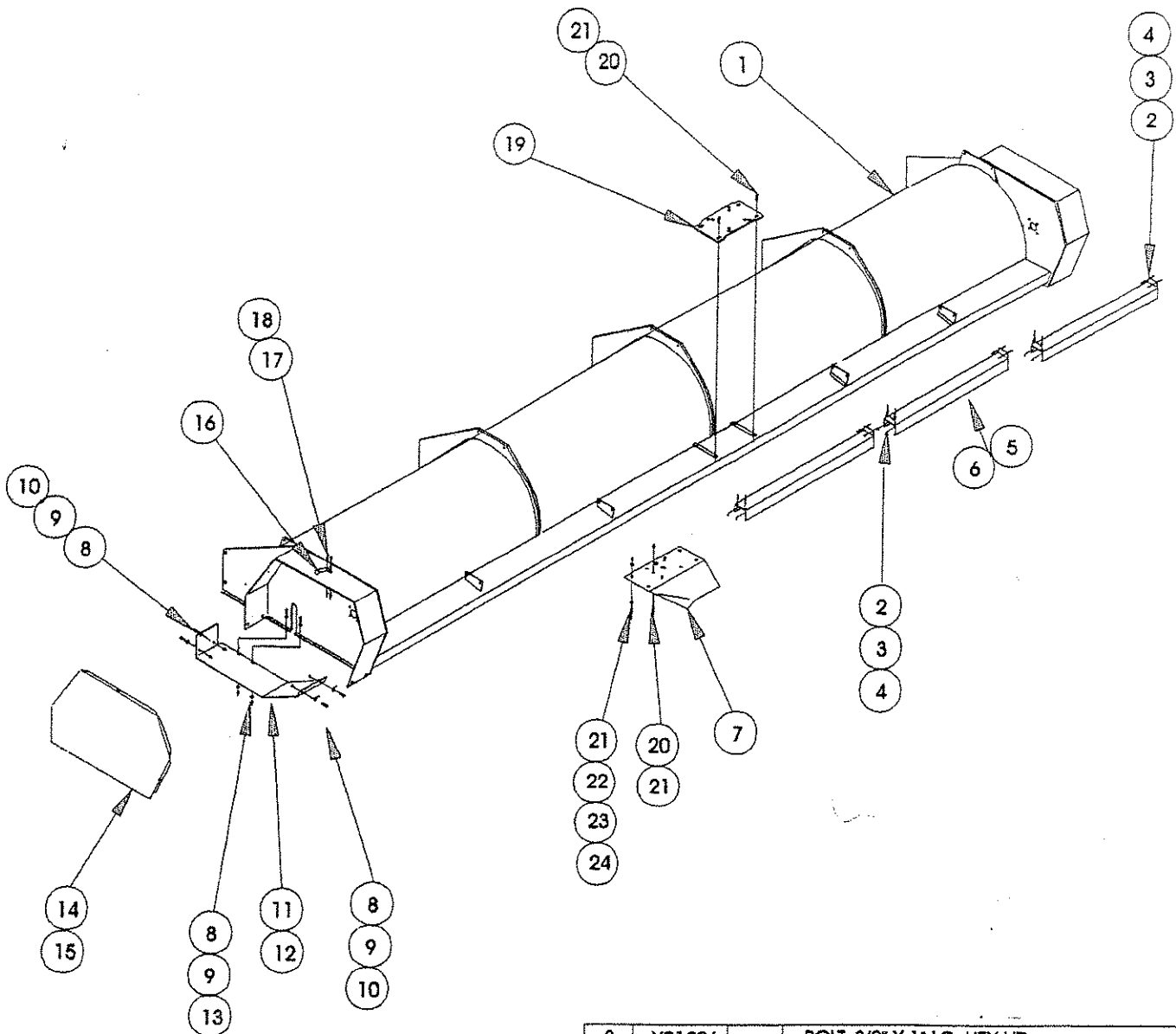
BALZER  
TRANSPORT



| 24   | X01602   |      | FLATWASHER, 5/8"                |
|------|----------|------|---------------------------------|
| 23   | X01640   |      | LOCKWASHER, 5/8"                |
| 22   | X01291   |      | BOLT, 5/8" X 2" LG. HEX HD GR.5 |
| 21   | X02546   |      | NUT, 5/8" HEX HD TOPLOCK GR.8   |
| 20   | X01290   |      | BOLT, 5/8" X 1-1/2" LG. HEX HD  |
| 19   | X28491   | 1    | MOUNT, GEAR BOX                 |
| 18   | X02564   |      | NUT, 1/4" HEX HD. (LOCKING)     |
| 17   | X01161   |      | BOLT, 1/4" X 5/8" LG. HEX HD.   |
| 16   | X14403   | 4    | LATCH, HOOD                     |
| 15   | X28473   | 1    | SHIELD, L.H. END                |
| 14   | X28472   | 1    | SHIELD, R.H. END                |
| 13   | X01207   |      | BOLT, 3/8" X 1-1/4" LG. HEX HD. |
| 12   | X28467   | 1    | PANEL, L.H. BOTTOM END          |
| 11   | X28466   | 1    | PANEL, R.H. BOTTOM END          |
| 10   | X01598   |      | FLATWASHER, 3/8"                |
| 9    | X02496   |      | NUT, 3/8" HEX HD. (LOCKING)     |
| ITEM | PART NO. | QTY. | DESCRIPTION                     |

| 8    | X01206   |      | BOLT, 3/8" X 1" LG. HEX HD.                 |
|------|----------|------|---|
| 7    | X17307   | 1    | SHIELD, GEARBOX                             |
| 6    | X24508   | 1    | SHIELD, R.H. LINE SHAFT INSIDE (2500)       |
|      | X31558   | 1    | SHIELD, R.H. LINE SHAFT OUTSIDE (2500)      |
|      | X24507   | 1    | SHIELD, L.H. LINE SHAFT INSIDE (2500)       |
|      | X31557   | 1    | SHIELD, L.H. LINE SHAFT OUTSIDE (2500)      |
| 5    | X24508   | 1    | SHIELD, R.H. LINE SHAFT INSIDE (2400)       |
|      | X24512   | 1    | SHIELD, R.H. LINE SHAFT OUTSIDE (2400+2200) |
|      | X24507   | 1    | SHIELD, L.H. LINE SHAFT INSIDE (2400)       |
|      | X24517   | 1    | SHIELD, L.H. LINE SHAFT OUTSIDE (2400+2200) |
|      | X24516   | 1    | SHIELD, R.H. LINE SHAFT INSIDE (2200)       |
| 4    | X24515   | 1    | SHIELD, L.H. LINE SHAFT INSIDE (2200)       |
|      | X02475   |      | NUT, 5/16" HEX HD. (LOCKING)                |
| 3    | X01597   |      | FLATWASHER, 5/16"                           |
| 2    | X01185   |      | BOLT, 5/16" X 1" LG. HEX HD.                |
| 1    | X28006   | 1    | HOUSING, MAIN (2500)                        |
|      | X28005   | 1    | HOUSING, MAIN (2400)                        |
|      | X28004   | 1    | HOUSING, MAIN (2200)                        |
| ITEM | PART NO. | QTY. | DESCRIPTION                                 |

|  |      |         |                         |                 |   |                      |
|--|------|---------|-------------------------|-----------------|---|----------------------|
|  | B    | 9-12-95 | REVISED                 | DATE: 1-16-95   | <b>MAIN HOUSING</b><br><b>MODELS 2200-2400-2500</b> | REF. NO. 20208       |
|  | REV. | DATE    | DESCRIPTION OF REVISION | SCALE 1/4" = 1" |   | DRAWING NO. SC500102 |

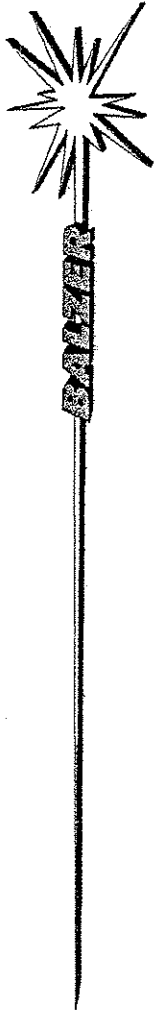


| ITEM | PART NO. | QTY. | DESCRIPTION                     |
|------|----------|------|---------------------------------|
| 24   | XO1602   |      | FLATWASHER, 5/8"                |
| 23   | XO1640   |      | LOCKWASHER, 5/8"                |
| 22   | XO1291   |      | BOLT, 5/8" X 2" LG. HEX HD GR.5 |
| 21   | XO2546   |      | NUT, 5/8" HEX HD TOPLOCK GR.8   |
| 20   | XO1290   |      | BOLT, 5/8" X 1-1/2" LG. HEX HD  |
| 19   | X28491   | 1    | MOUNT, GEAR BOX                 |
| 18   | XO2564   |      | NUT, 1/4" HEX HD. (LOCKING)     |
| 17   | XO1161   |      | BOLT, 1/4" X 5/8" LG. HEX HD.   |
| 16   | X14403   | 4    | LATCH, HOOD                     |
| 15   | X28473   | 1    | SHIELD, L.H. END                |
| 14   | X28472   | 1    | SHIELD, R.H. END                |
| 13   | XO1207   |      | BOLT, 3/8" X 1-1/4" LG. HEX HD. |
| 12   | X28467   | 1    | PANEL, L.H. BOTTOM END          |
| 11   | X28466   | 1    | PANEL, R.H. BOTTOM END          |
| 10   | XO1598   |      | FLATWASHER, 3/8"                |
| 9    | XO2496   |      | NUT, 3/8" HEX HD. (LOCKING)     |

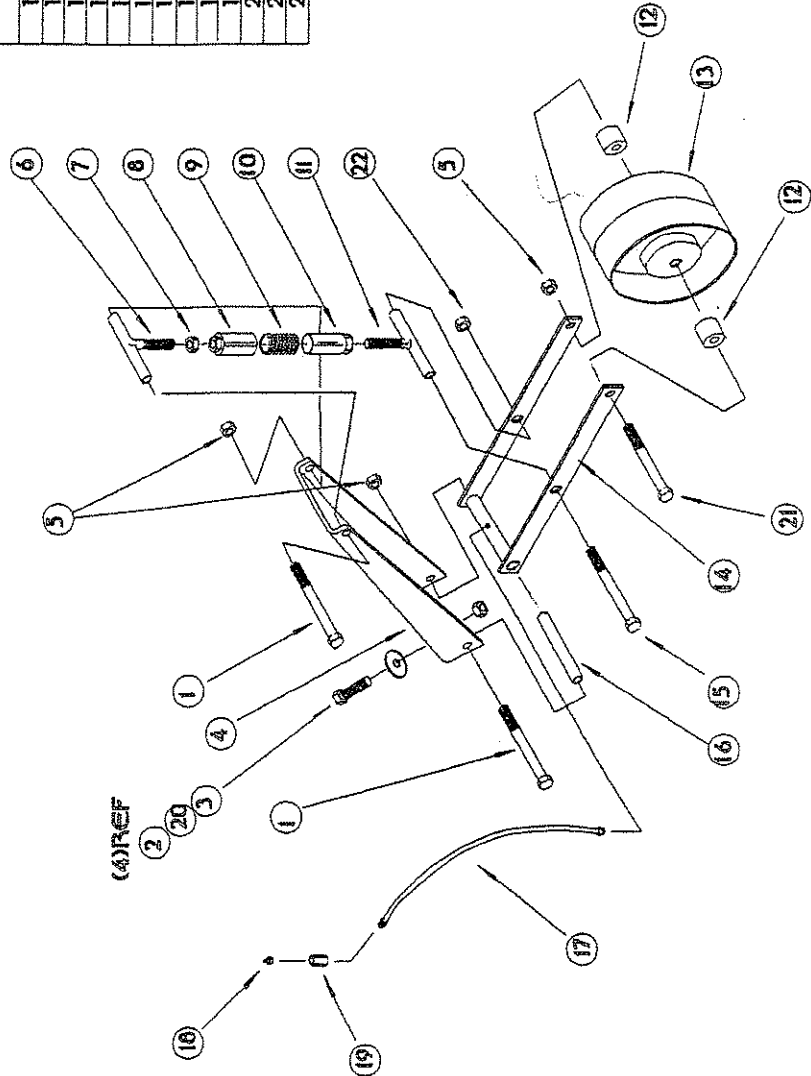
| ITEM | PART NO. | QTY. | DESCRIPTION                            |
|------|----------|------|--|
| 8    | XO1206   |      | BOLT, 3/8" X 1" LG. HEX HD.            |
| 7    | X17307   | 1    | SHIELD, GEARBOX                        |
| 6    | X28190   | 1    | SHIELD, R.H. LINE SHAFT INSIDE (2650)  |
|      | X28192   | 1    | SHIELD, R.H. LINE SHAFT OUTSIDE (2650) |
|      | X28194   | 1    | SHIELD, L.H. LINE SHAFT INSIDE (2650)  |
|      | X28191   | 1    | SHIELD, L.H. LINE SHAFT OUTSIDE (2650) |
|      | X28193   | 1    | SHIELD, R.H. LINE SHAFT INSIDE (2650)  |
|      | X28195   | 1    | SHIELD, R.H. LINE SHAFT OUTSIDE (2650) |
| 5    |          |      |  |
|      |          |      |  |
|      |          |      |  |
|      |          |      |  |
| 4    | XO2475   |      | NUT, 5/16" HEX HD. (LOCKING)           |
| 3    | XO1597   |      | FLATWASHER, 5/16"                      |
| 2    | XO1185   |      | BOLT, 5/16" X 1" LG. HEX HD.           |
|      | X28142   | 1    | HOUSING, MAIN (2650)                   |
| 1    |          |      |  |
|      |          |      |  |
|      |          |      |  |

|  |     |         |                         |                 |   |                      |
|--|-----|---------|-------------------------|-----------------|---|----------------------|
|  | B   | 9-12-95 | REVISED                 | DATE 1-18-96    | <b>MAIN HOUSING</b><br><b>MODELS 2650</b> | REF. NO. 20208       |
|  | REV | DATE    | DESCRIPTION OF REVISION | SCALE 1/4" = 1" |   | DRAWING NO. SC500102 |





| ITEM | QTY | PART NO. | DESCRIPTION                  | 28458 |
|------|-----|----------|------------------------------|-------|
| 1    | 2   | 1263     | BOLT HEX HD 1/2 x 5 1/2      |       |
| 2    | REF | 1206     | BOLT HEX HD 3/8 x 1          |       |
| 3    | REF | 1207     | NUT HEX HD 3/8 TOP LOCK      |       |
| 4    | 1   | 18824    | MOUNTING CHANNEL             |       |
| 5    | 3   | 2539     | NUT HEX HD 1/2 TOP LOCK      |       |
| 6    | 1   | 18825    | ADJUSTER UPPER               |       |
| 7    | 1   | 1696     | NUT HEX HD 5/8-11 UNC R. H.  |       |
| 8    | 1   | 24584    | TIGHTENER HALF OUTER         |       |
| 9    | 1   | 2616     | SPRING COMPRESSION           |       |
| 10   | 1   | 24587    | TIGHTENER HALF INNER         |       |
| 11   | 1   | 18826    | ADJUSTER LOWER               |       |
| 12   | 2   | 24589    | BUSHING 1 1/4 x .62 x 1 3/16 |       |
| 13   | 1   | 28461    | IDLER PULLEY 10"             |       |
| 14   | 1   | 28462    | TIGHTENER 10"                |       |
| 15   | 1   | 1262     | BOLT HEX HD .5 x 5           |       |
| 16   | 1   | 12400    | PIPE BUSHING                 |       |
| 17   | 1   | 24180    | GREASE LINE HOSE 18"         |       |
| 18   | 1   | 2291     | ZERK 1/8 NPT                 |       |
| 19   | 1   | 12333    | COUPLER 1/8 NPT              |       |
| 20   | REF | 1598     | WASHER FLAT 3/8              |       |
| 21   | 1   | 1301     | BOLT HEX HD .62x5            |       |
| 22   | 1   | 2546     | NUT HEX HD .62 TOP LOCK      |       |



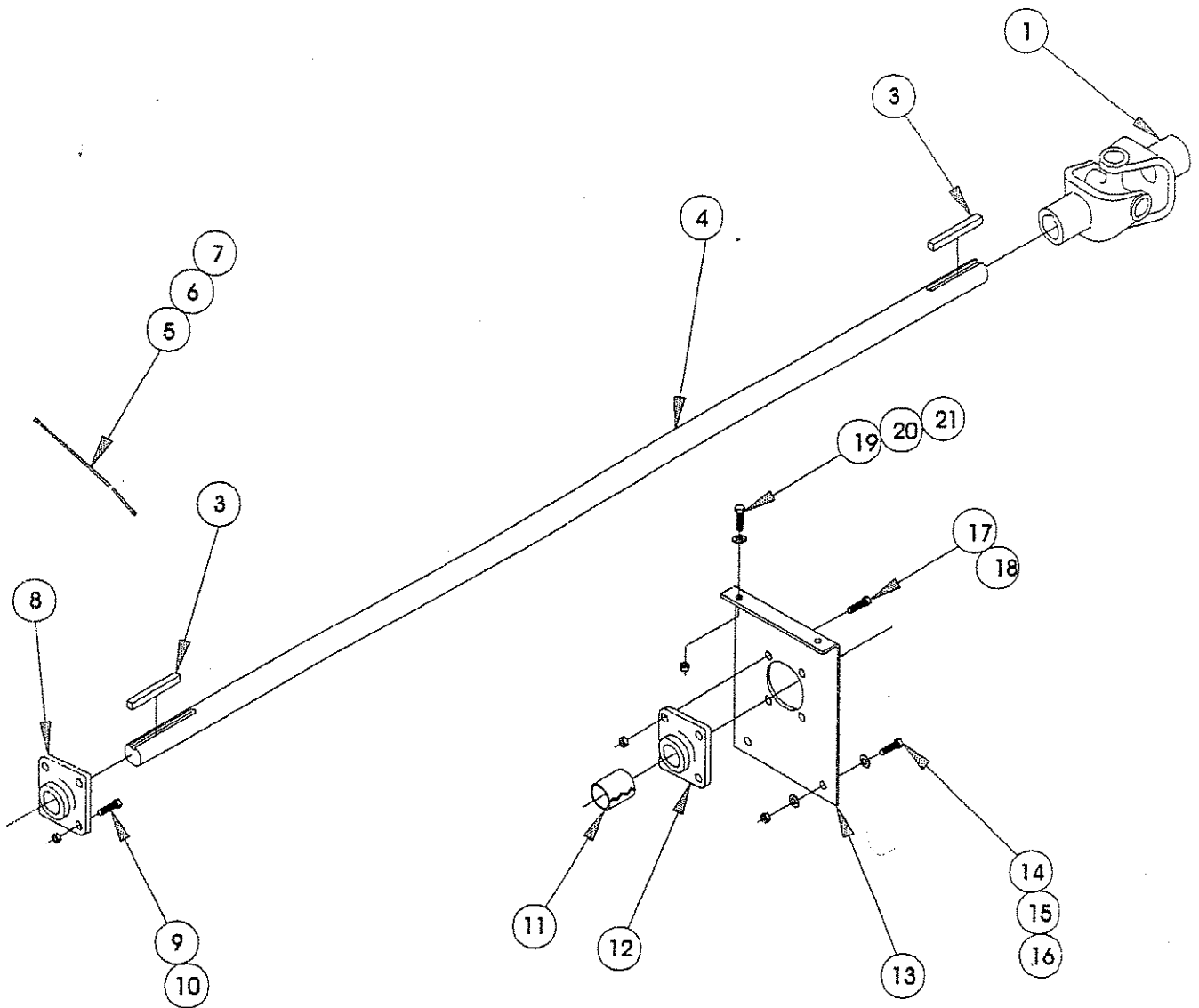
NEXT ASSY 1/28141

QTY PER

|                               |                           |          |                |
|-------------------------------|---------------------------|----------|----------------|
| MATL CODE                     | MATL SIZE AND DESCRIPTION | ASSEMBLY | SHEET OF 1     |
| STANDARD TOL UNLESS SPECIFIED | FAB ± .03 1/32 1/2 ± °    |          | DO NOT SCALE   |
| WELD ± .06 1/16 1 ± °         |                           |          | DRAWN DM       |
| OPERATION INSTRUCTIONS        |                           |          | CHECKED DM     |
| UNASSIT ON LENGTH             |                           |          | DATE 12/96     |
| WEIGHT                        |                           |          | PART NO. 28458 |
| REL. DATE                     |                           |          |                |
| ECO. NO.                      |                           |          |                |



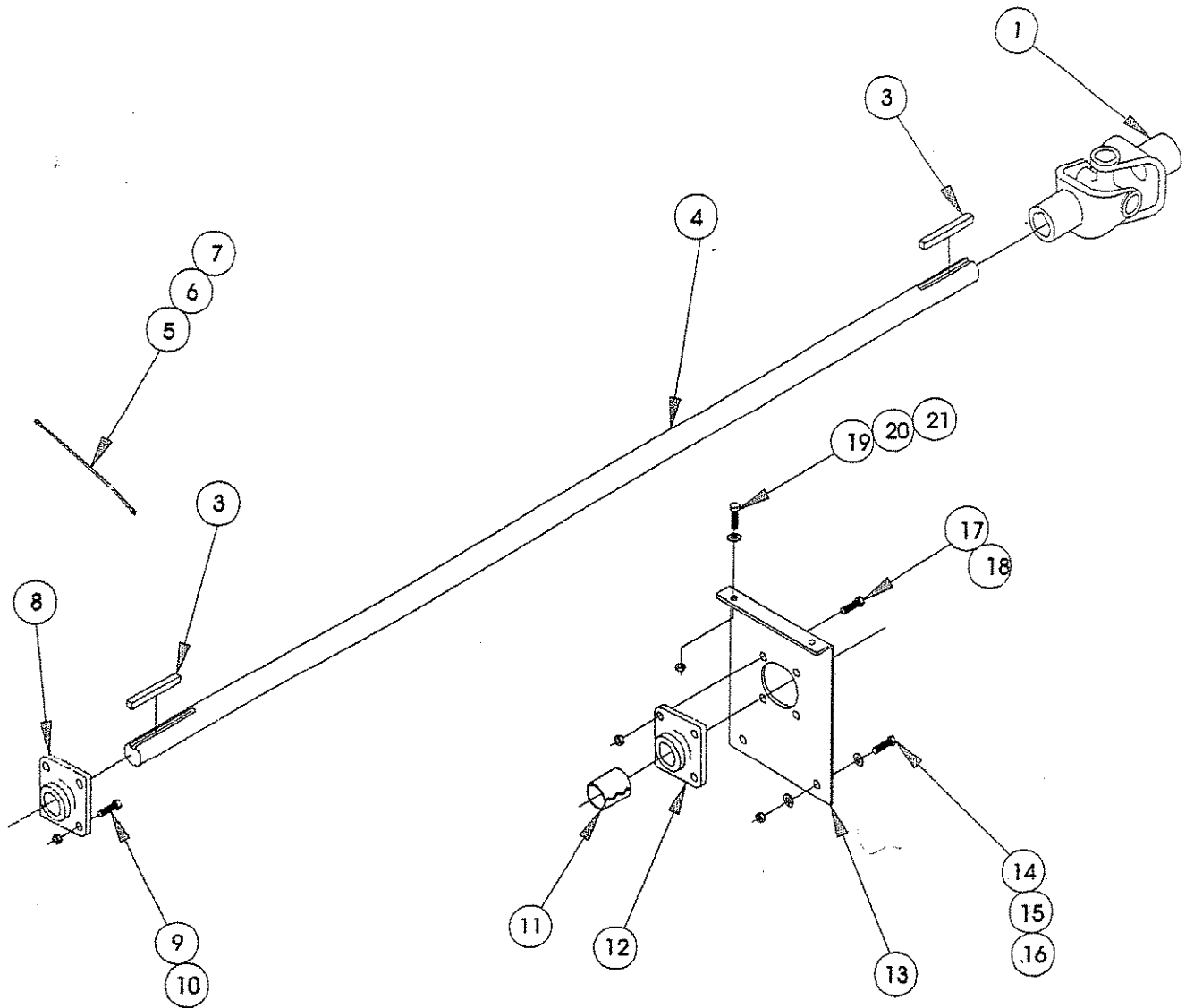
Highway/Local  
mountain bike, rvm 60199  
phone (807) 627-5135



|    |        |   |                                 |
|----|--------|---|---------------------------------|
| 21 | XO2475 |   | NUT, 5/16" HEX HD TOPLOCK       |
| 20 | XO1597 |   | FLATWASHER, 5/16"               |
| 19 | XO1185 |   | BOLT, 5/16" X 1" LG. HEX HD     |
| 18 | XO2546 |   | NUT, 5/8" HEX HD TOPLOCK        |
| 17 | XO1290 |   | BOLT, 5/8" X 1-3/4" LG. HEX HD  |
| 16 | XO2539 |   | NUT, 1/2" HEX HD TOPLOCK        |
| 15 | XO1600 | 8 | FLATWASHER, 1/2"                |
| 14 | XO1249 |   | BOLT, 1/2" X 1-1/4" LG. HEX HD. |
| 13 | X24223 | 2 | PLATE, MOUNTING                 |
| 12 | X16895 | 2 | BEARING, 2" 4-BOLT              |
| 11 | X24203 | 2 | SLEEVE, 1-3/4"                  |
| 10 | XO2546 |   | NUT, 5/8" HEX HD TOPLOCK        |
| 9  | XO1291 |   | BOLT, 5/8" X 2" LG"             |

|   |        |   |                                      |
|---|--------|---|--------------------------------------|
| 8 | X20092 | 2 | BEARING, 1-3/4" 4-BOLT (1800 - 2400) |
| 7 | XO2291 | 2 | ZERK, 1/8" NPT                       |
| 6 | X12333 | 2 | COUPLER, 1/8" NPT                    |
| 5 | X24179 | 2 | HOSE, GREASE LINE (1/8" X 30" LG.)   |
| 4 | X31556 | 2 | LINE SHAFT, 1.25 X 142" LG (2500)    |
|   | X24483 | 2 | LINE SHAFT, 1.75" X 136" LG. (2400)  |
|   | X24482 | 2 | LINE SHAFT, 1.75" X 125" LG. (2200)  |
| 3 | XO2408 | 4 | KEY, 3/8" X 2-1/2" LG.               |
| 2 | X12911 | 2 | KIT, CROSS & BEARING (NOT SHOWN)     |
| 1 | X24239 | 2 | U-JOINT, 1-3/4" (2200 - 2650)        |

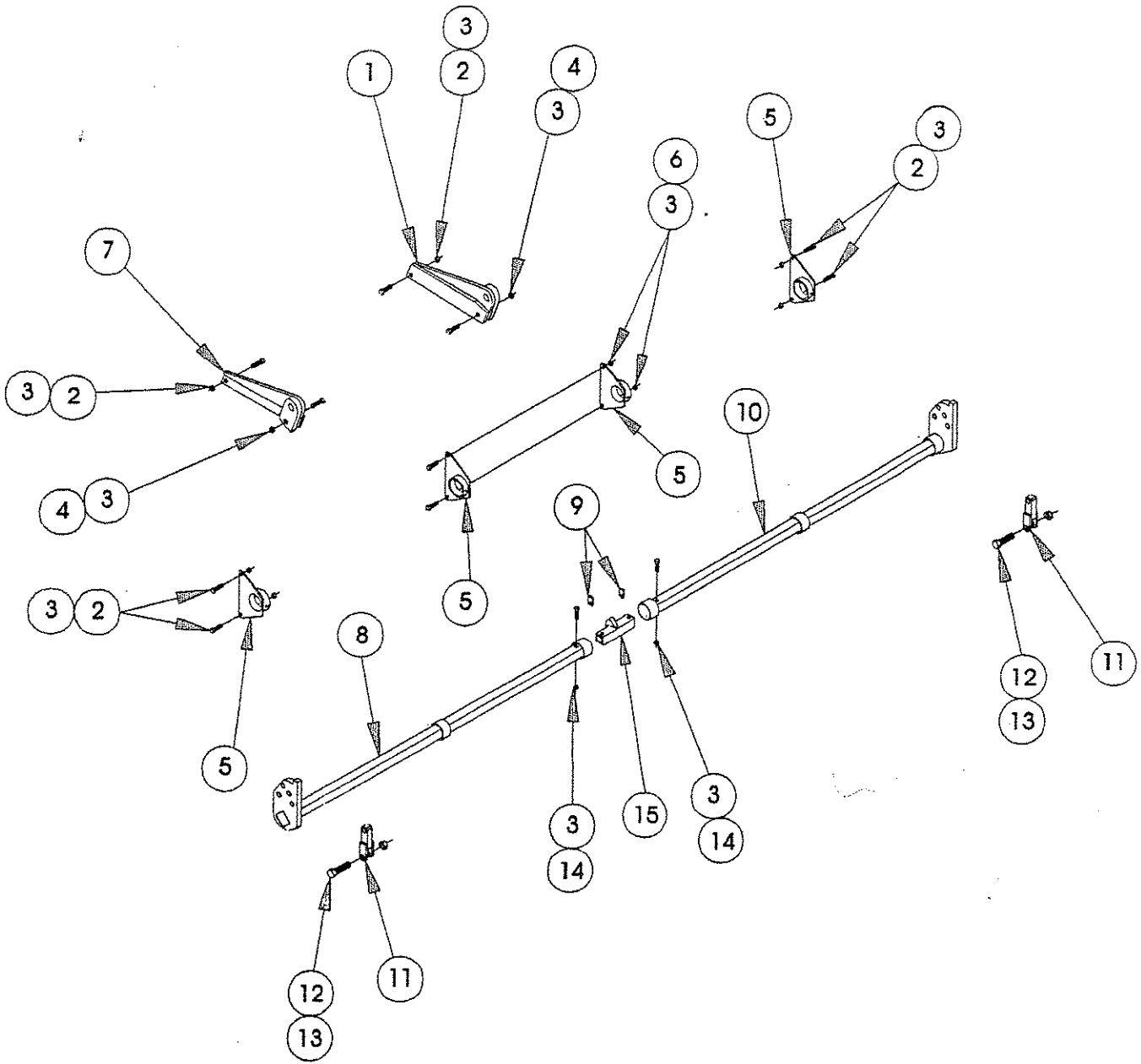
| ITEM | PART NO. | QTY. | DESCRIPTION | ITEM  | PART NO. | QTY. | DESCRIPTION |
|------|----------|------|-------------|---|----------|------|-------------|
|      |          |      |             | B 9-13-95 REVISED DATE 1-19-98<br>SCALE 3/4" = 1" |          |      |             |
|      |          |      |             | DRIVE LINE ASSEMBLY MODELS 2200-2500              |          |      |             |



| 21   | XO2475   |      | NUT, 5/16" HEX HD TOPLOCK       |
|------|----------|------|---------------------------------|
| 20   | XO1597   |      | FLATWASHER, 5/16"               |
| 19   | XO1185   |      | BOLT, 5/16" X 1" LG. HEX HD     |
| 18   | XO2546   |      | NUT, 5/8" HEX HD TOPLOCK        |
| 17   | XO1290   |      | BOLT, 5/8" X 1-3/4" LG. HEX HD  |
| 16   | XO2539   |      | NUT, 1/2" HEX HD TOPLOCK        |
| 15   | XO1600   |      | FLATWASHER, 1/2"                |
| 14   | XO1249   |      | BOLT, 1/2" X 1-1/4" LG. HEX HD. |
| 13   | X24223   | 4    | PLATE, MOUNTING                 |
| 12   | X16895   | 4    | BEARING, 2" 4-BOLT              |
| 11   | X24203   | 4    | SLEEVE, 1-3/4"                  |
| 10   | XO2546   |      | NUT, 5/8" HEX HD TOPLOCK        |
| 9    | XO1291   |      | BOLT, 5/8" X 2" LG"             |
| ITEM | PART NO. | QTY. | DESCRIPTION                     |

| 8    | X20092   | 2    | BEARING, 1-3/4" 4-BOLT (1800 - 2400) |
|------|----------|------|--------------------------------------|
| 7    | XO2291   | 2    | ZERK, 1/8" NPT                       |
| 6    | X12333   | 2    | COUPLER, 1/8" NPT                    |
| 5    | X24179   | 2    | HOSE, GREASE LINE (1/8" X 30" LG.)   |
|      | X24178   | 2    | HOSE, GREASE LINE (.18" X 10" LG.)   |
| 4    | X28498   | 4    | LINE SHAFT 1.75 X 151" LG            |
|      |          |      |                                      |
|      |          |      |                                      |
|      |          |      |                                      |
| 3    | XO2408   | 4    | KEY, 3/8" X 2-1/2" LG.               |
| 2    | X12911   | 2    | KIT, CROSS & BEARING (NOT SHOWN)     |
| 1    | X24239   | 2    | U-JOINT, 1-3/4"                      |
| ITEM | PART NO. | QTY. | DESCRIPTION                          |

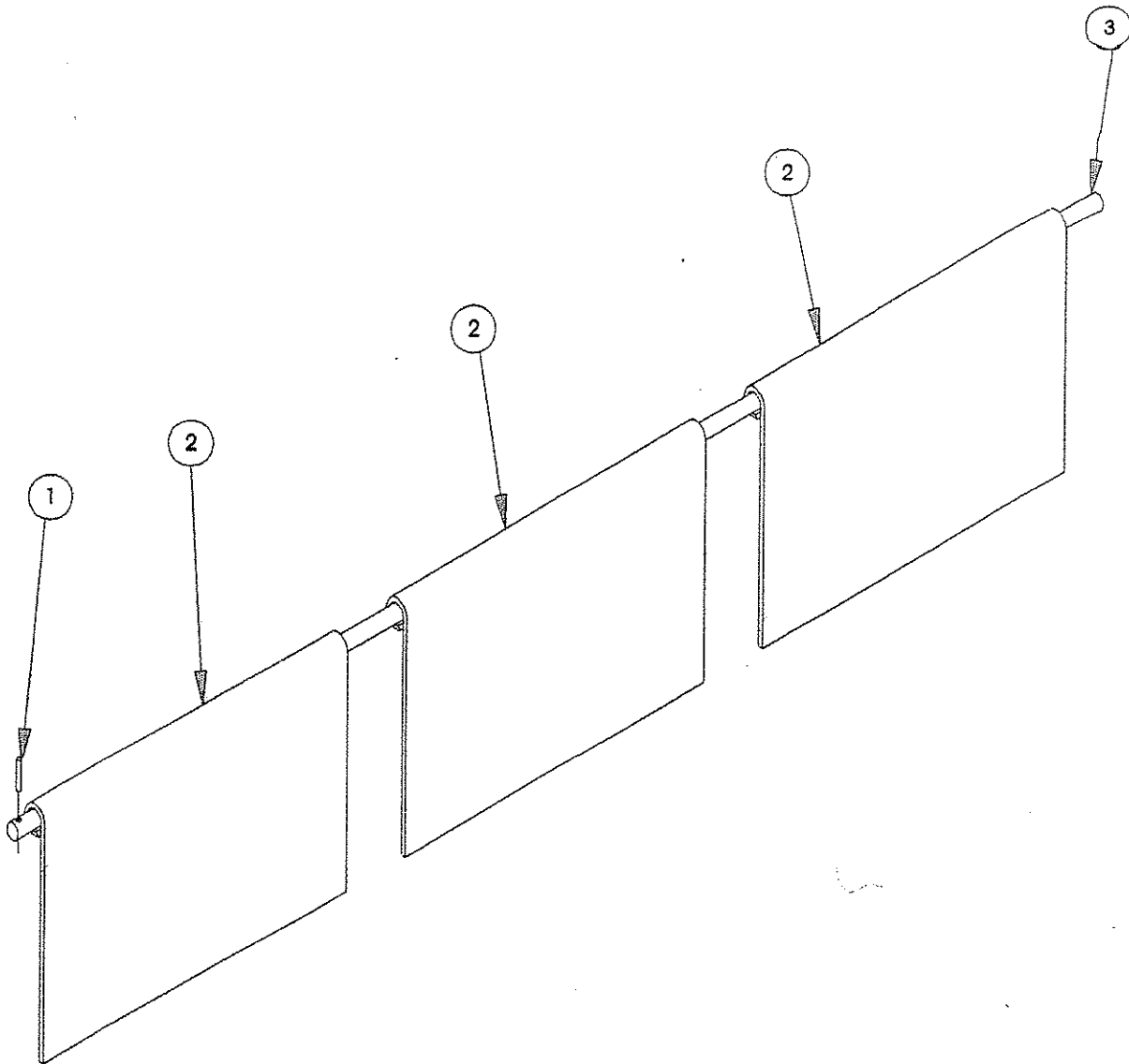
|  |      |         |                         |                 |  |                      |
|--|------|---------|-------------------------|-----------------|--|----------------------|
|  | B    | 9-13-95 | REVISED                 | DATE 1-19-95    | <b>DRIVE LINE ASSEMBLY</b><br><b>MODELS 2650</b> | REF. NO. 20211       |
|  | REV. | DATE    | DESCRIPTION OF REVISION | SCALE 1/8" = 1" |  | DRAWING NO. SC500106 |



| 15   | X24301   | 1    | BAR, ROCKSHAFT SPLICE           |
|------|----------|------|---------------------------------|
| 14   | XO1298   |      | BOLT, 5/8" X 3-3/4" LG. HEX HD. |
| 13   | XO1779   |      | NUT, 1" HEX HD TOPLOCK          |
| 12   | XO1354   |      | BOLT, 1" X 3.25" HEX HD         |
| 11   | X24276   | 2    | ARM, CLEVIS                     |
| 10   | X28185   | 1    | ROCKSHAFT, L. H. (2650)         |
|      | X31567   | 1    | ROCKSHAFT, L. H. (2500)         |
|      | X24497   | 1    | ROCKSHAFT, L. H. (2400)         |
|      | X28047   | 1    | ROCKSHAFT, L. H. (2200)         |
| 9    | X24282   | 2    | SPACER, LOWER                   |
| ITEM | PART NO. | QTY. | DESCRIPTION                     |

| 8    | X28184   | 1    | ROCKSHAFT, R. H. (2650)                |
|------|----------|------|--|
|      | X31566   | 1    | ROCKSHAFT, R. H. (2500)                |
|      | X24496   | 1    | ROCKSHAFT, R. H. (2400)                |
|      | X28046   | 1    | ROCKSHAFT, R. H. (2200)                |
| 7    | X28495   | 1    | MOUNT, L. H. CYLINDER 2650             |
|      | X24315   | 1    | MOUNT, L. H. CYLINDER 2200, 2400, 2500 |
| 6    | XO1295   |      | BOLT, 5/8" X 3" LG. HEX HD.            |
| 5    | X24271   | 8    | BEARING, ROCKSHAFT                     |
| 4    | XO1291   |      | BOLT, 5/8" X 2" HEX HD.                |
| 3    | XO2546   |      | NUT, 5/8" HEX HD TOPLOCK               |
| 2    | XO1290   |      | BOLT, 5/8" X 1-3/4" HEX HD.            |
| 1    | X28494   | 1    | MOUNT, R. H. CYLINDER 2650             |
|      | X23414   | 1    | MOUNT, R. H. CYLINDER 2200, 2400, 2500 |
| ITEM | PART NO. | QTY. | DESCRIPTION                            |


|  |      |         |                         |                 |                                       |                      |
|--|------|---------|-------------------------|-----------------|---------------------------------------|----------------------|
|  | B    | 9-13-95 | REVISED                 | DATE 1-27-98    | <b>ROCKSHAFT<br/>MODELS 2200-2650</b> | REF. NO. 20214       |
|  | REV. | DATE    | DESCRIPTION OF REVISION | SCALE 1/4" = 1" |                                       | DRAWING NO. SC500108 |



|   |        |   |                            |
|---|--------|---|----------------------------|
| 3 | X24499 | 2 | ROD, HINGE (24 FT. UNIT)   |
|   | X24498 | 2 | ROD, HINGE (22 FT. UNIT)   |
|   | X28451 | 2 | ROD, HINGE (26.5 FT. UNIT) |
|   | X31555 | 2 | ROD, HINGE (25 FT. UNIT)   |

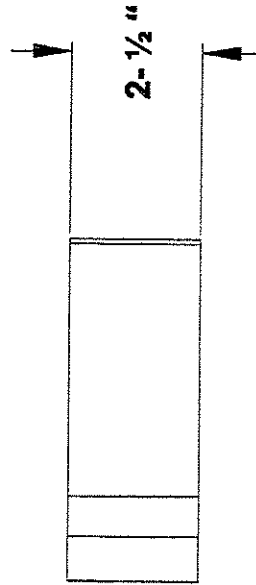
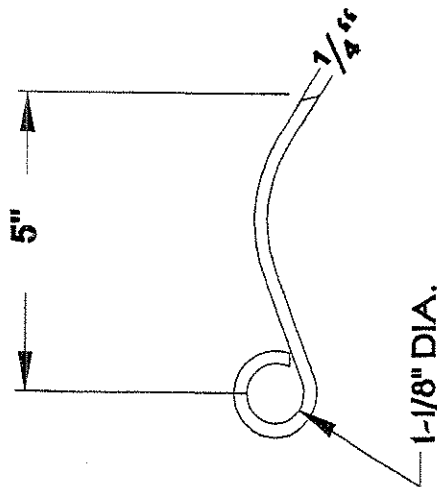
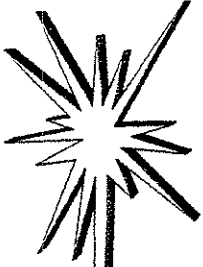
|   |        |   |                         |
|---|--------|---|-------------------------|
| 2 | X28450 |   | GUARD, HINGING 5 5/8    |
|   | X28045 |   | GUARD, HINGING 11 3/8   |
| 1 | XO1850 | 2 | PIN, 1/8" X 1" LG. ROLL |

| ITEM | PART NO. | QTY. | DESCRIPTION | ITEM | PART NO. | QTY. | DESCRIPTION |
|------|----------|------|-------------|------|----------|------|-------------|
|------|----------|------|-------------|------|----------|------|-------------|

|   |      |         |                         |                 |   |
|---|------|---------|-------------------------|-----------------|---|
|  | B    | 9-13-96 | REVISED                 | DATE 1-13-98    | HINGING GUARD & ROD<br>REF. NO. 20206<br>DRAWING NO. SC500109 |
|   | REV. | DATE    | DESCRIPTION OF REVISION | SCALE 1/8" = 1" |   |

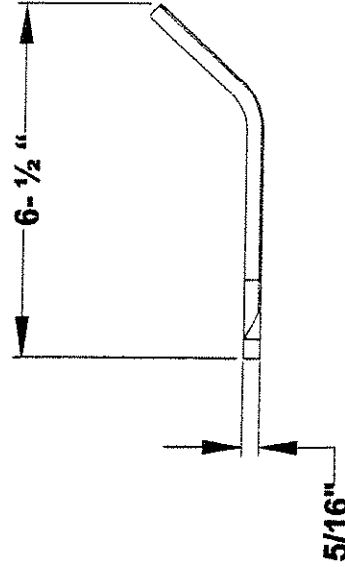
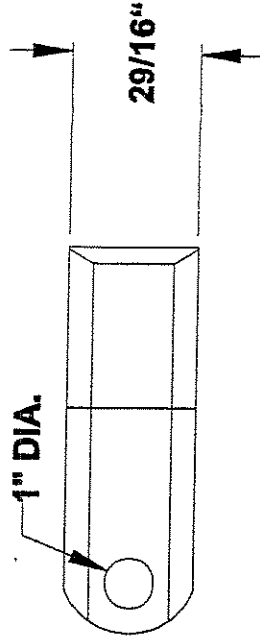
# Knife Options

**BALZER**



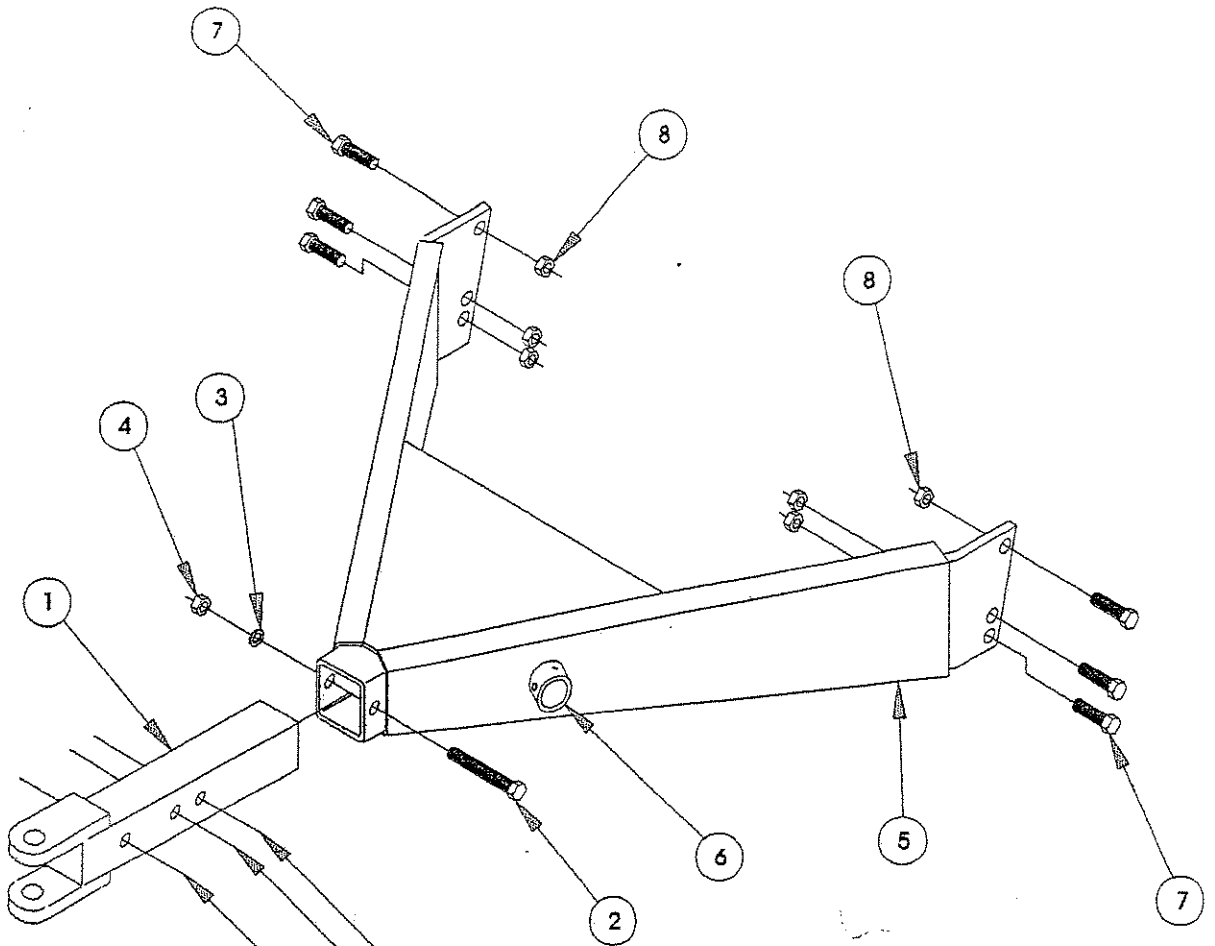
## 5" CUP KNIFE

- 24237 W/O HARD SURFACING
- 24331 W/ HARD SURFACING



## SIDE KNIFE

- 26569 W/O HARD SURFACING
- 31440 W/ HARD SURFACING



USE THIS ADJUSTMENT MOUNTING HOLE FOR 1-3/4" 1000 RPM PTO.

USE THIS ADJUSTMENT MOUNTING HOLE FOR 1-3/8" 1000 RPM PTO.

USE THIS ADJUSTMENT MOUNTING HOLE FOR 540 RPM PTO.

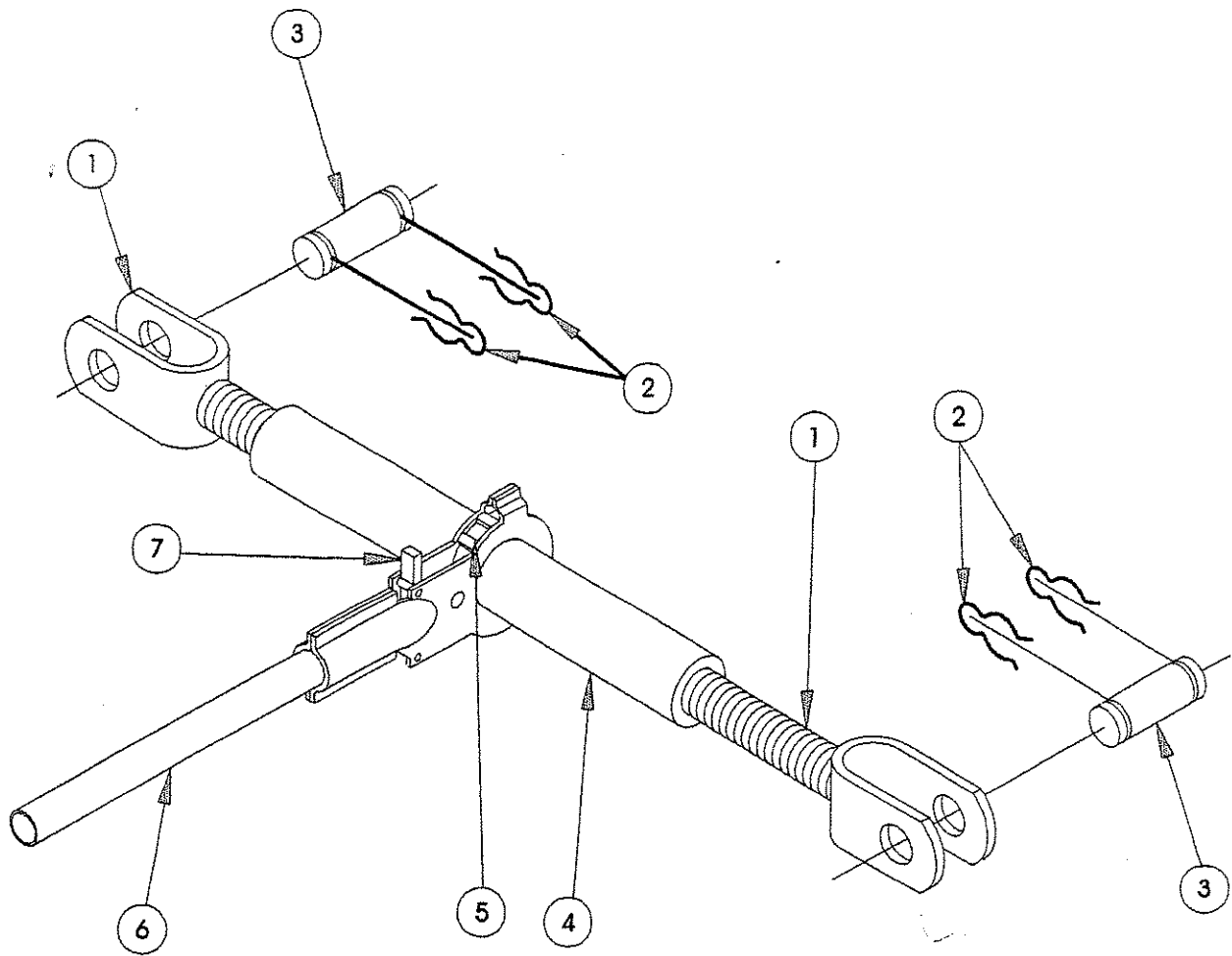
**NOTE:**

TO ORDER A COMPLETE PULL TYPE HITCH (ITEMS 1 & 5), USE PART NUMBER X24283.

ITEM #6 (X10520) IS INCLUDED WITH TONGUE HITCH, BUT CAN BE ORDERED SEPARATE.

|      |          |      |                                   |      |          |      |                             |
|------|----------|------|-----------------------------------|------|----------|------|-----------------------------|
| 8    | XO1777   | 6    | NUT, 3/4" HEX HD. (LOCKING)       | 4    | XO1697   | 1    | NUT, 3/4" HEX HD.           |
| 7    | XO1313   | 6    | BOLT, 3/4" X 2-1/2" LG. HEX HD.   | 3    | XO1641   | 1    | LOCKWASHER, 3/4"            |
| 6    | X10520   | 1    | SWIVEL, MALE (INCLUDED W/ITEM #5) | 2    | XO1320   | 1    | BOLT, 3/4" X 5" LG. HEX HD. |
| 5    | X24284   | 1    | HITCH, TONGUE                     | 1    | X24295   | 1    | TONGUE, ADJUSTING           |
| ITEM | PART NO. | QTY. | DESCRIPTION                       | ITEM | PART NO. | QTY. | DESCRIPTION                 |

|                 |      |         |                         |       |           |  |
|-----------------|------|---------|-------------------------|-------|-----------|--|
|                 | B    | 9-13-95 | REVISED                 | DATE  | 1-18-96   | REF. NO. 20209<br>DRAWING NO. SC500110 |
|                 | REV. | DATE    | DESCRIPTION OF REVISION | SCALE | 1/4" = 1" |  |
| PULL TYPE HITCH |      |         |                         |       |           |  |



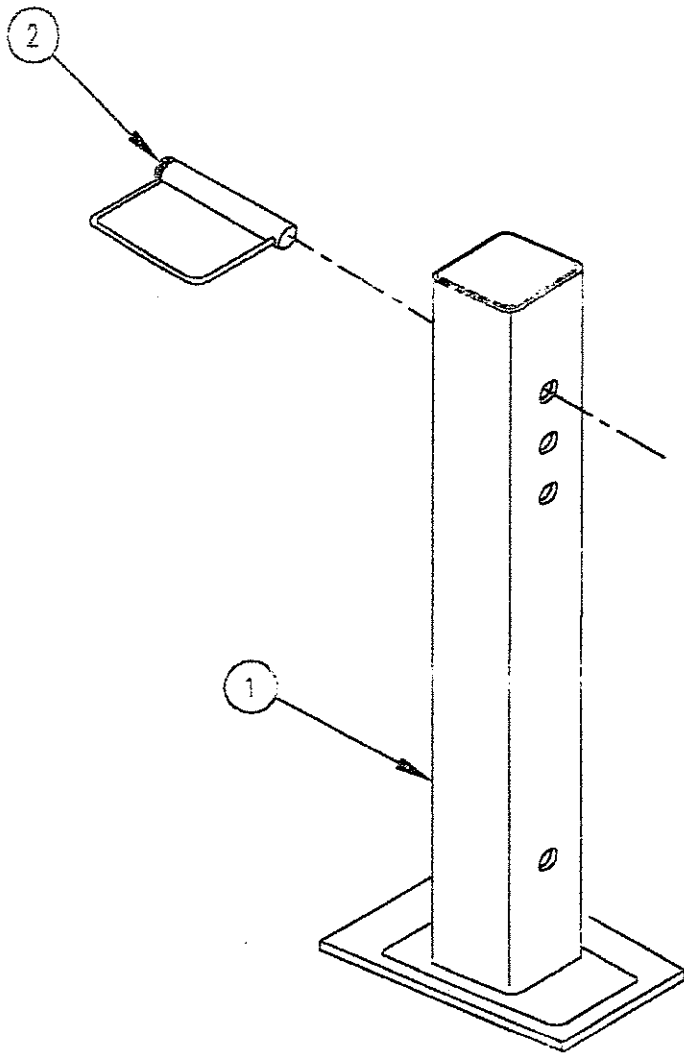
**NOTE:**

TO ORDER A COMPLETE RATCHET JACK ASSEMBLY, USE PART NUMBER X12267.

|      |          |      |                 |   |        |   |                                  |
|------|----------|------|-----------------|---|--------|---|----------------------------------|
| 7    | X12954   | 1    | FINGER, RATCHET | 4 | X12952 | 1 | HOUSING, MAIN                    |
| 6    | X12956   | 1    | HANDLE          | 3 |        | 2 | PIN, 1" DIA. (INCLUDED W/JACK)   |
| 5    | X12953   | 1    | RATCHET         | 2 |        | 4 | CLIP, HAIR PIN (INCLUDED W/JACK) |
| ITEM | PART NO. | QTY. | DESCRIPTION     | 1 | X12951 | 2 | SCREW YOKE ASSEMBLY              |
| ITEM | PART NO. | QTY. | DESCRIPTION     |   |        |   |                                  |

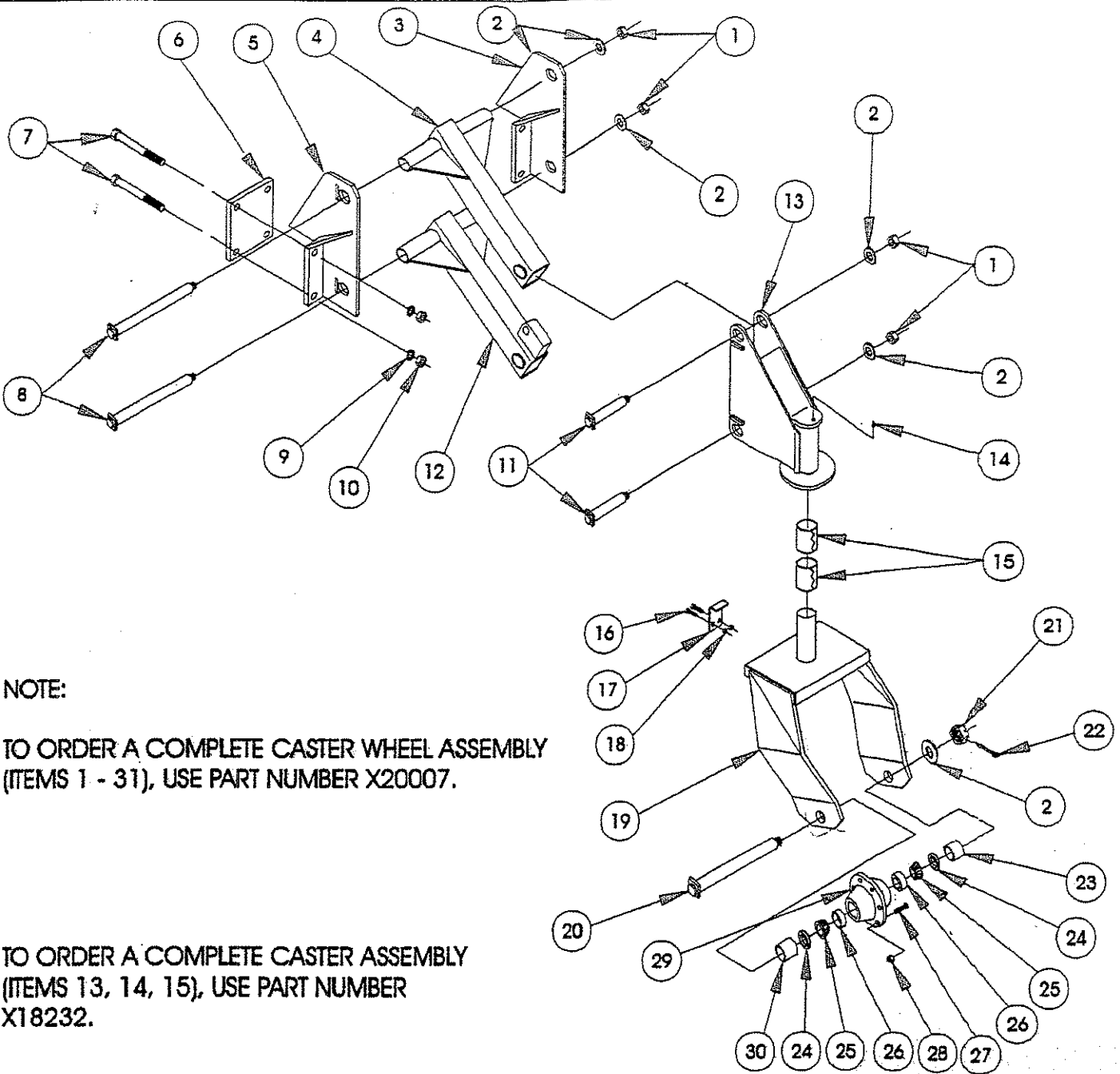
|               |      |                         |           |         |               |                       |                      |
|---------------|------|-------------------------|-----------|---------|---------------|-----------------------|----------------------|
| <b>BALZER</b> |      | B                       | 9-13-95   | REVISED | DATE: 2-28-95 | RATCHET JACK ASSEMBLY | REF. NO. 12267       |
| REV.          | DATE | DESCRIPTION OF REVISION | DRWN: TWS |         |               |                       | DRAWING NO. SC500112 |





|      |          |      |                |      |          |      |             |
|------|----------|------|----------------|------|----------|------|-------------|
| 4    | X20853   | 1    | BAR, SPACER    | 2    | X24384   | 1    | PIN, HITCH  |
| 3    | X20852   | 1    | TUBE, MOUNTING | 1    | X20855   | 1    | STAND, JACK |
| ITEM | PART NO. | QTY. | DESCRIPTION    | ITEM | PART NO. | QTY. | DESCRIPTION |

|      |         |                         |                 |                      |
|------|---------|-------------------------|-----------------|----------------------|
| B    | 3-13-85 | REVISED                 | DATE 2-28-85    | REF. NO. 20226       |
| REV. | DATE    | DESCRIPTION OF REVISION | SCALE 1/4" = 1" | DRAWING NO. SC500113 |
|      |         |                         | JACK STAND      |                      |



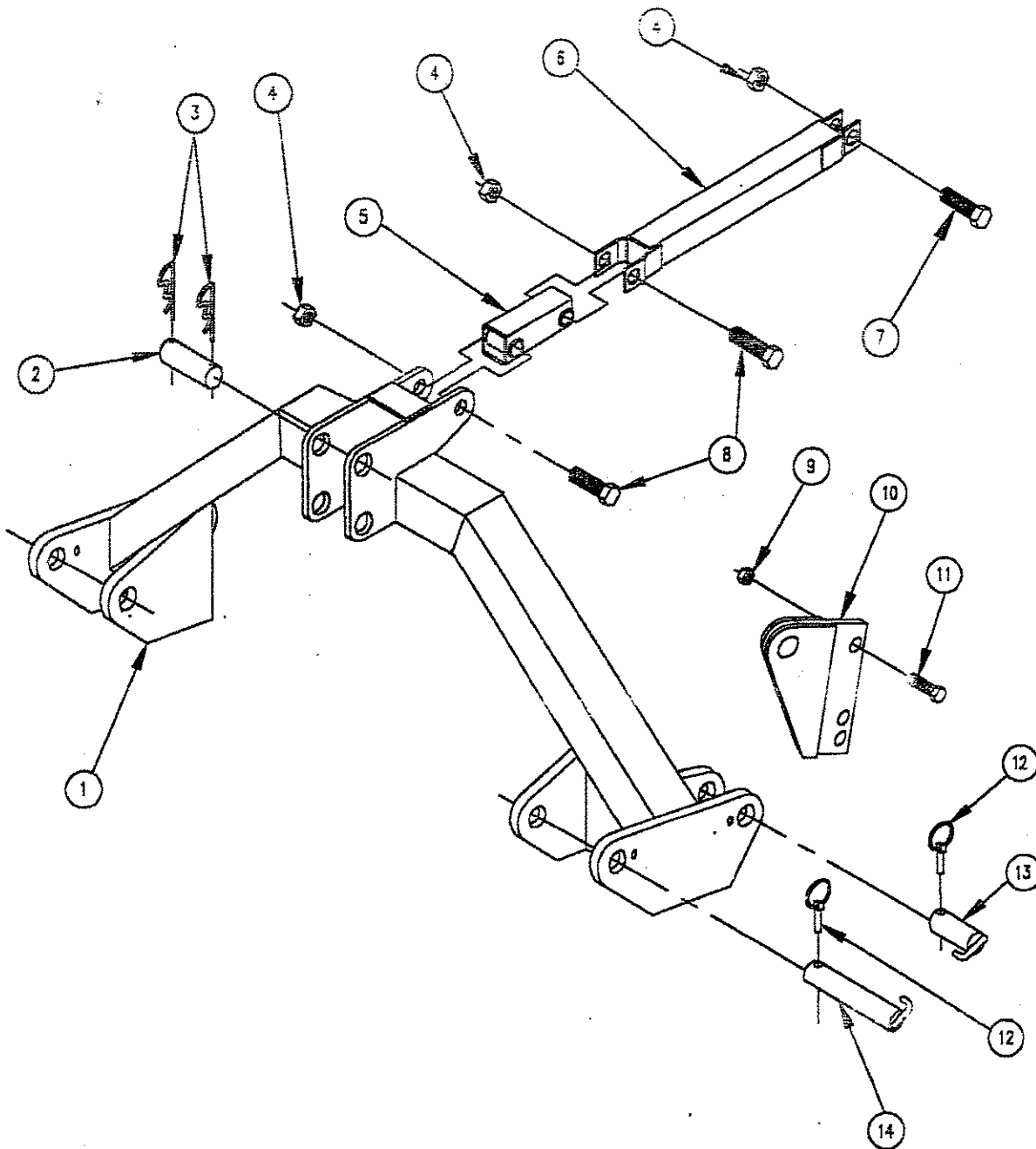
**NOTE:**

TO ORDER A COMPLETE CASTER WHEEL ASSEMBLY (ITEMS 1 - 31), USE PART NUMBER X20007.

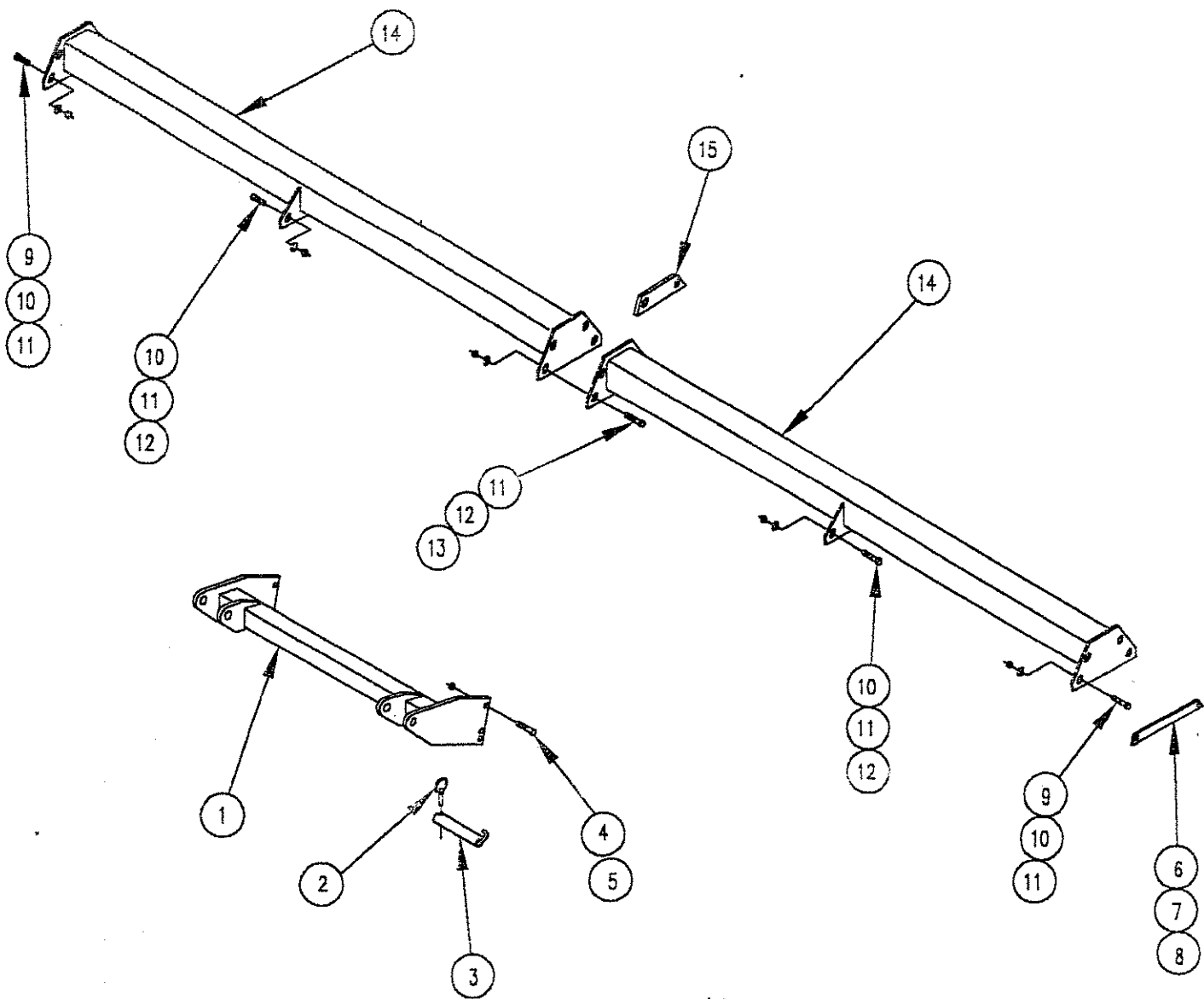
TO ORDER A COMPLETE CASTER ASSEMBLY (ITEMS 13, 14, 15), USE PART NUMBER X18232.

|      |          |      |                                    |      |          |      |                               |
|------|----------|------|------------------------------------|------|----------|------|-------------------------------|
| 31   | XO8125   | 1    | WHEEL, 15" X 6" 6-BOLT (NOT SHOWN) | 16   | XO1206   | 2    | BOLT, 3/8" X 1" LG. HEX HD.   |
| 30   | X18887   | 1    | SPACER                             | 15   | X18888   | 2    | BUSHING, 2" TENSION           |
| 29   | X18935   | 1    | HUB, 6-BOLT W/CUPS                 | 14   | XO2291   | 1    | ZERK, 1/8" NPT GREASE         |
| 28   | XO2605   | 6    | NUT, WHEEL                         | 13   | X18886   | 1    | HOUSING, CASTER               |
| 27   | XO2604   | 6    | STUD, WHEEL                        | 12   | X18182   | 1    | LINK, CASTER BOTTOM           |
| 26   | XO7598   | 2    | CUP BEARING                        | 11   | X18192   | 2    | PIN, SHORT PIVOT              |
| 25   | X18900   | 2    | CONE, BEARING                      | 10   | XO1697   | 8    | NUT, 3/4" HEX HD.             |
| 24   | X18934   | 2    | SEAL                               | 9    | XO1641   | 8    | LOCKWASHER, 3/4"              |
| 23   | X18905   | 1    | SPACER                             | 8    | X18191   | 2    | PIN, LONG PIVOT               |
| 22   | XO2048   | 1    | PIN, 5/32" X 2-1/2" LG. COTTER     | 7    | XO1325   | 8    | BOLT, 3/4" X 8" LG. HEX HD.   |
| 21   | XO1754   | 1    | NUT, 1" CASTLE                     | 6    | X18175   | 2    | PLATE, MOUNTING               |
| 20   | X18891   | 1    | SPINDLE, 1-1/2" DIA. X 13-1/2" LG. | 5    | X18177   | 1    | ANGLE, L.H. MOUNTING          |
| 19   | X18889   | 1    | FORK, CASTER                       | 4    | X18181   | 1    | LINK, CASTER TOP              |
| 18   | XO2496   | 2    | NUT, 3/8" HEX HD. (LOCKING)        | 3    | X18176   | 1    | ANGLE, R.H. MOUNTING          |
| 17   | X18893   | 1    | BRACKET, RETAINER                  | 2    | XO1605   | 5    | FLATWASHER, 1"                |
|      |          |      |                                    | 1    | XO2591   | 4    | NUT, 1" UNF HEX HD. (LOCKING) |
| ITEM | PART NO. | QTY. | DESCRIPTION                        | ITEM | PART NO. | QTY. | DESCRIPTION                   |

|  |      |         |                         |       |           |                            |             |          |
|--|------|---------|-------------------------|-------|-----------|----------------------------|-------------|----------|
|  | B    | 9-13-95 | REVISED                 | DATE  | 1-12-95   | <b>CASTER ARM ASSEMBLY</b> | REF. NO.    | 20204    |
|  | REV. | DATE    | DESCRIPTION OF REVISION | SCALE | 1/4" = 1" |                            | DRAWING NO. | SC500114 |



|      |          |      |                                 | 10   | x60158   | 2    | MOUNT, PIVOT                  |
|------|----------|------|---------------------------------|------|----------|------|-------------------------------|
|      |          |      |                                 | 9    | X01777   | 6    | NUT, 3/4" HEX HD. (LOCKING)   |
|      |          |      |                                 | 8    | X01345   | 3    | BOLT, 1" X 4-1/2" LG. HEX HD. |
|      |          |      |                                 |      |          |      |                               |
|      |          |      |                                 | 6    | X24362   | 1    | TUBE, LIFT                    |
|      |          |      |                                 | 5    | X60168   | 1    | TUBE, LINKAGE                 |
|      |          |      |                                 | 4    | X01779   | 3    | NUT, 1" HEX HD. (LOCKING)     |
| 20   | X01609   | 4    | FLAT WASNER 1.37"               |      |          |      |                               |
| 14   | X17299   | 2    | PIN, 1-7/16" X 9" LG.           |      |          |      |                               |
| 13   | X24370   | 2    | PIN, 1" X 3-1/2" LG.            |      |          |      |                               |
| 12   | X02584   | 5    | PIN, 7/16" X 2" LYNCH           |      |          |      |                               |
| 11   | X01313   | 6    | BOLT, 3/4" X 2-1/2" LG. HEX HD. |      |          |      |                               |
| 2    | X17303   | 2    | PIN, 1-1/4" X 4-1/8" LG.        |      |          |      |                               |
| 1    | X24347   | 1    | "A" - FRAME                     |      |          |      |                               |
| ITEM | PART NO. | QTY. | DESCRIPTION                     | ITEM | PART NO. | QTY. | DESCRIPTION                   |



| 15   | X24380   | 1    | SHIM, 1/2"                      |
|------|----------|------|---------------------------------|
| 14   | X24487   | 2    | TUBE, MOUNTING (2400)           |
|      | X24488   | 2    | TUBE, MOUNTING (2200)           |
|      | X24371   | 2    | TUBE, MOUNTING (2000)           |
|      | X24372   | 2    | TUBE, MOUNTING (1800)           |
|      | X24400   | 2    | TUBE, MOUNTING (1500)           |
|      | X20969   | 2    | TUBE, MOUNTING (1200)           |
| 13   | XO1292   | 4    | BOLT, 5/8" X 2-1/4" LG. HEX HD. |
| 12   | XO1289   | 2    | BOLT, 5/8" X 1-1/2" LG. HEX HD. |
| ITEM | PART NO. | QTY. | DESCRIPTION                     |

| 11   | XO2545   | 14   | NUT, 5/3" HEX HD. TOPLOCK       |
|------|----------|------|---------------------------------|
| 10   | XO1620   | 14   | FLATWASHER, 5/8"                |
| 9    | XO1291   | 8    | BOLT, 5/8" X 2-1/2" LG. HEX HD. |
| 8    | X24404   | 2    | SHIM, 1/4"                      |
| 7    | X24403   | 2    | SHIM, 10 GA.                    |
| 6    | X24402   | 2    | SHIM, 3/16"                     |
| 5    | XO1777   | 6    | NUT, 3/4" HEX HD. TOPLOCK       |
| 4    | XO1313   | 6    | BOLT, 3/4" X 2-1/2" LG. HEX HD. |
| 3    | X17299   | 2    | PIN, 1-7/16" DIA. X 9" LG.      |
| 2    | XO2584   | 2    | PIN, 7/16" LYNCH                |
| 1    | X60161   | 1    | HITCH, 2-POINT                  |
| ITEM | PART NO. | QTY. | DESCRIPTION                     |

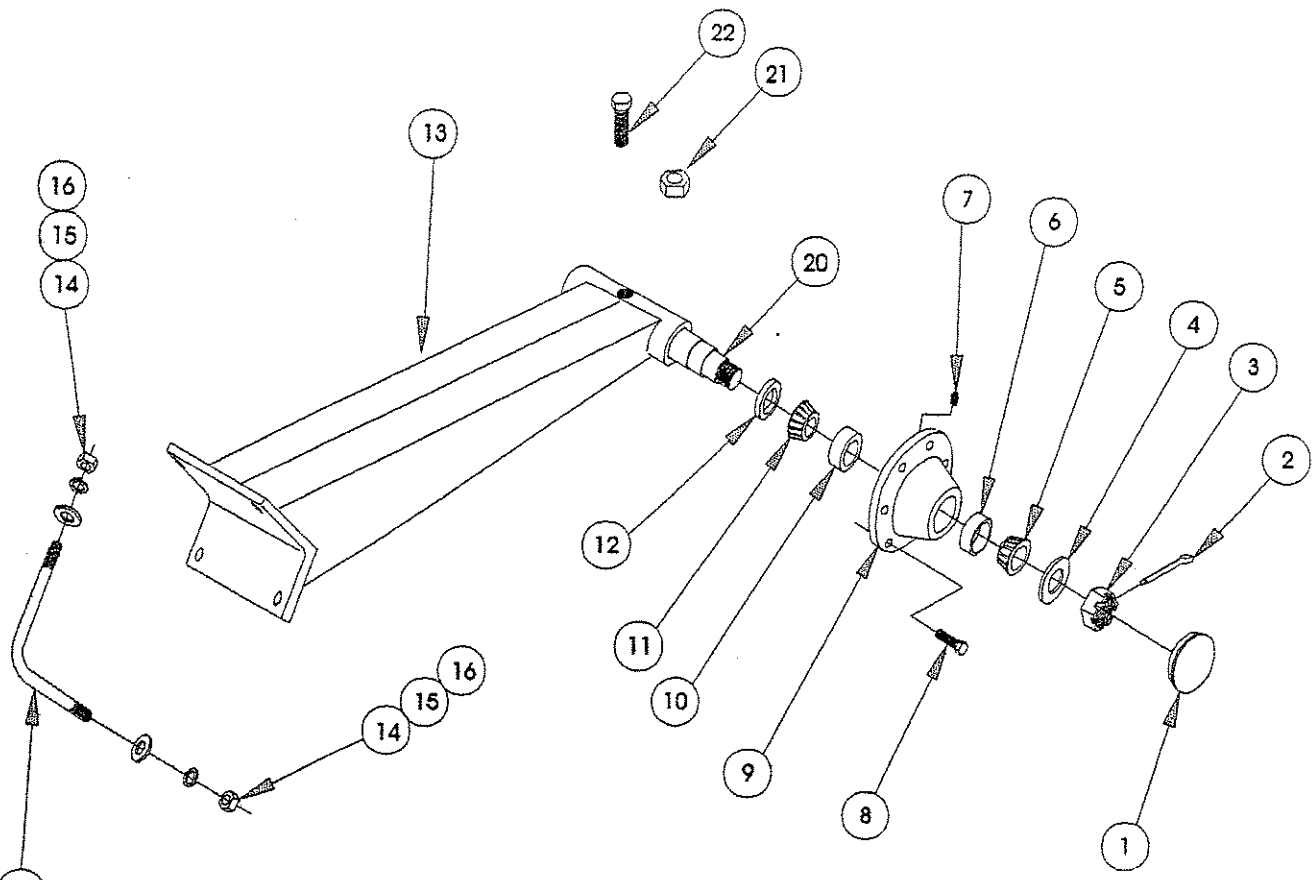
3 5-13-55

REVISED

DATE 12-25-54  
SCALE 1/4" = 1"

SEMI-MOUNT PARTS  
CONVENTIONAL SUBORDER

REF. NO. 20215  
DRAWING NO. 200116



**NOTE:**

TO ORDER A COMPLETE WHEEL ARM ASSEMBLY  
(ITEMS 1, 2, 3, 4, 5, 6, 7, 8, 9, 10, 11, 12,  
13), USE PART NUMBER X28423

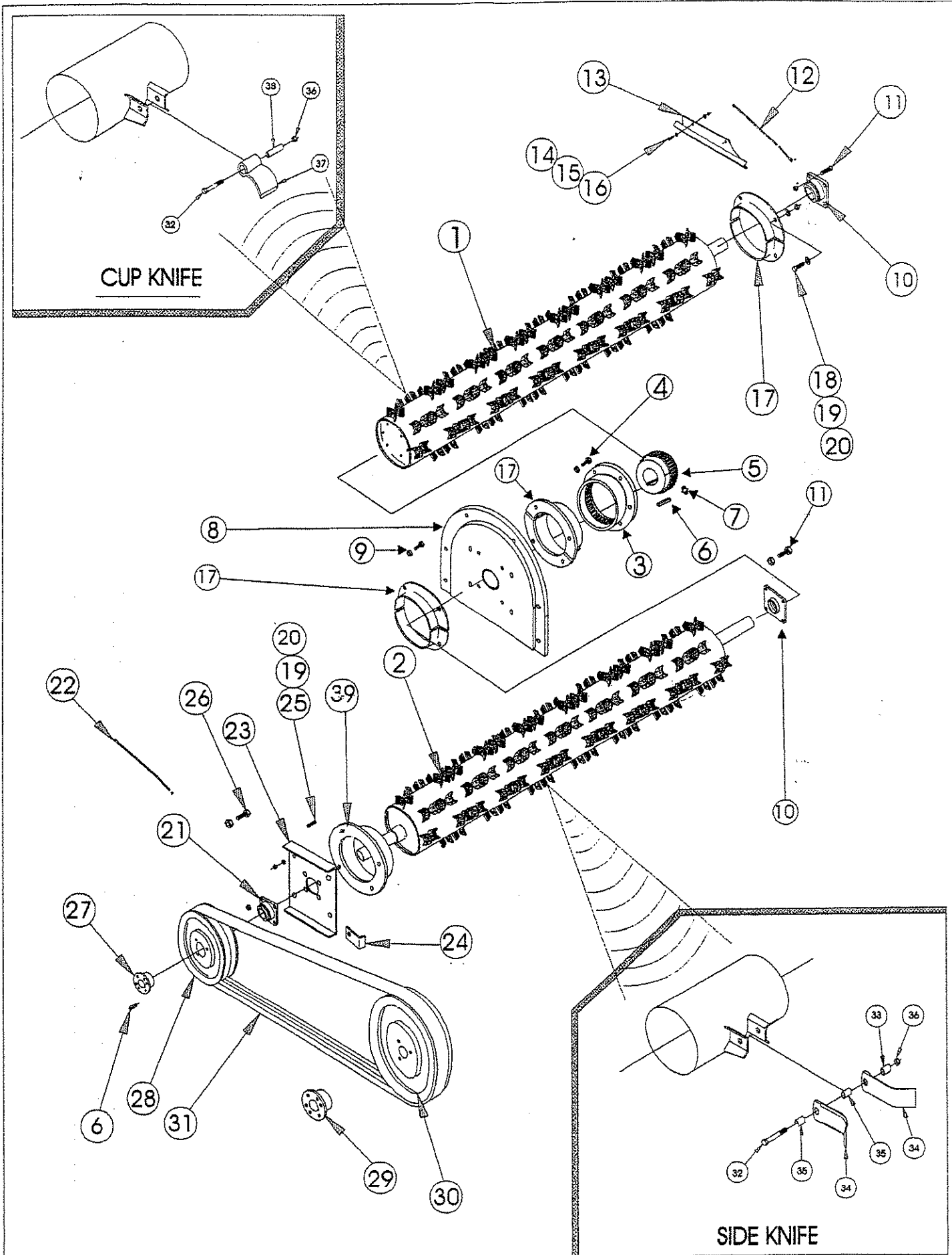
TO ORDER A COMPLETE DUAL ARM ASSEMBLY  
(ITEM 19, NOT SHOWN), USE PART NUMBER  
X21490.

TO ORDER A COMPLETE HUB AND SPINDLE ASSEMBLY  
(ITEMS 5, 6, 7, 8, 9, 10, 11, 12),  
USE PART NUMBER X18240

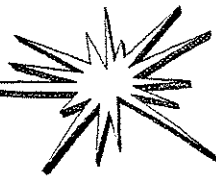
| 22   | X01257   | 1    | BOLT .5 X 3 1/4 GR 5                |
|------|----------|------|-------------------------------------|
| 21   | X02539   | 1    | NUT .5 HEX HD TOP LOCK              |
| 20   | X18241   | 1    | SPINDLE                             |
| 19   | X21490   | 1    | DUAL WHEEL ARM ASSEMBLY (NOT SHOWN) |
| 18   | X08125   | 1    | WHEEL, 15" 6-BOLT (NOT SHOWN)       |
| 17   | X15354   | 1    | BOLT, WHEEL ARM                     |
| 16   | X01602   | 2    | FLATWASHER, 5/8"                    |
| 15   | X01640   | 2    | LOCKWASHER, 5/8"                    |
| 14   | X01696   | 2    | NUT, 5/8" HEX HD.                   |
| 13   | X28425   | 1    | ARM, WHEEL                          |
| 12   | X06572   | 1    | SEAL, GREASE                        |
| 11   | X06573   | 1    | CONE, INNER                         |
| 10   | X06574   | 1    | CUP, INNER                          |
| ITEM | PART NO. | QTY. | DESCRIPTION                         |

| 9    | X12441   | 1    | HUB, 6-BOLT W/CUPS                   |
|------|----------|------|--------------------------------------|
| 8    | X09089   | 6    | BOLT, 1/2"-20 UNF X 1-1/2" LG. WHEEL |
| 7    | X02286   | 1    | ZERK, 1/4"-28                        |
| 6    | X06663   | 1    | CUP, OUTER                           |
| 5    | X06665   | 1    | CONE, OUTER                          |
| 4    | X01605   | 1    | FLATWASHER, 1"                       |
| 3    | X01754   | 1    | NUT, 1" CASTLE                       |
| 2    | X02048   | 1    | PIN, 5/32" X 2-1/2" LG. COTTER       |
| 1    | X12442   | 1    | CAP, HUB W/ZERK                      |
|      | X06666   | 1    | CAP, HUB                             |
| ITEM | PART NO. | QTY. | DESCRIPTION                          |

|  |      |         |                         |               |   |                      |
|--|------|---------|-------------------------|---------------|---|----------------------|
|  | B    | 9-13-95 | REVISED                 | DATE: 1-24-95 | <b>WHEEL ARM ASSEMBLY<br/>REMOVABLE</b> | REF. NO. 20219       |
|  | REV. | DATE    | DESCRIPTION OF REVISION | DRAWN: TMS    |   | DRAWING NO. SC500117 |



|               |      |         |                         |       |           |  |             |          |
|---------------|------|---------|-------------------------|-------|-----------|--|-------------|----------|
| <b>BALZER</b> | A    | 9-19-95 | ORIGINAL RELEASE        | DATE  | 9-19-95   | 10" DIA. CYLINDER ASSEMBLY<br>MODELS 2200 - 2650 | REF. NO.    | 20210    |
|               | REV. | DATE    | DESCRIPTION OF REVISION | SCALE | 1/4" = 1" |  | DRAWING NO. | SC500141 |

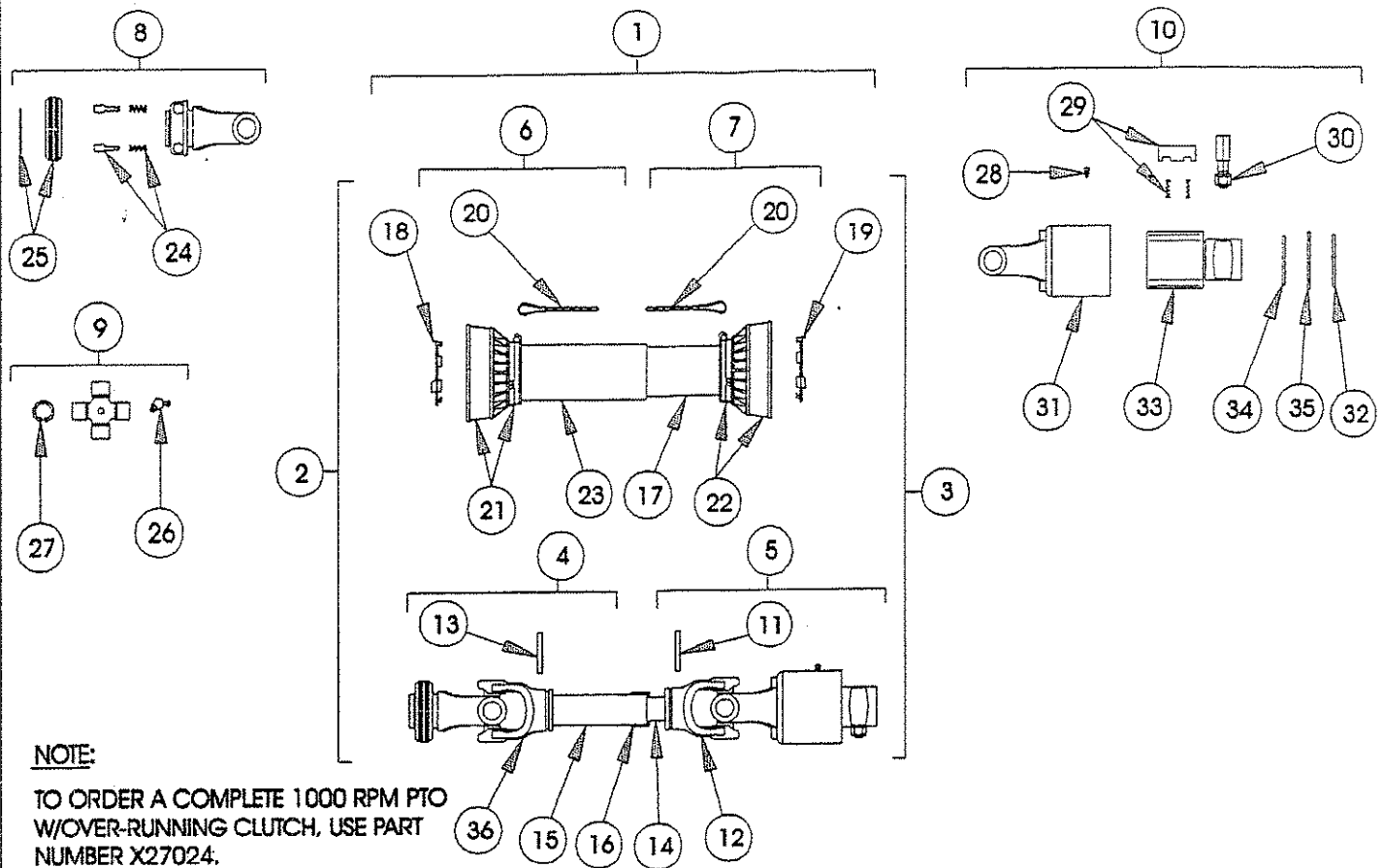


# PARTS LIST PAGE FOR DRAWING NUMBER SC500141



|    |        |    |                                     |
|----|--------|----|-------------------------------------|
| 39 | X28044 | 2  | GRASS RING FULL                     |
| 38 | X31464 | AR | BUSHING .66 X 1.0 X 2.56"           |
| 37 | X24237 | AR | CUP KNIFE                           |
| 36 | X02546 | AR | NUT .62 TOG LOCK                    |
| 35 | X31453 | AR | BUSHING .66 1.0 X .75               |
| 34 | X26569 | AR | SIDE KNIFE                          |
| 33 | X31454 | AR | BUSHING .66 X 1.25 X .88"           |
| 32 | X02633 | AR | BOLT .62 X 4 GR8                    |
| 31 | X28499 | 2  | BELT 3C 90                          |
| 30 | X24074 | 2  | PULLEY 16" . GROOVE                 |
| 29 | X02408 | 2  | KEY .37 X .37 X 2.5                 |
|    | X24222 | 2  | BUSHING Q.D. 1.75 .37KWY            |
| 28 | X24073 | 2  | PULLEY 10.5" 3 GROOYE               |
| 27 | X26870 | 2  | BUSHING Q.D 2.18 .5 KWY             |
| 26 | X02546 | AR | NUT .62 TOPLOCK                     |
|    | X01291 | AR | BOLT .62 X 2                        |
| 25 | X01185 | AR | BOLT .31 X 1.0                      |
| 24 | X24322 | 2  | CLAMP GREASE HOSE                   |
| 23 | X24100 | 2  | BEARING STIFFNER                    |
| 22 | X24178 | 2  | GREASE HOSE .18 X 10"               |
| 21 | X26872 | 2  | BEARING 2.18 4-BOLT ECCENTRIC LOCK  |
| 20 | X02475 | AR | NUT .31 TOP LOCK                    |
| 19 | X01597 | AR | FLAT WASHER .31                     |
| 18 | X01186 | AR | BOLT .31 X 1.25                     |
| 17 | X27589 | 12 | GRASS-RING 10" SPLIT                |
| 16 | X02496 | AR | NUT .37 TOP LOCK                    |
| 15 | X01598 | AR | FLAT WASHER .37                     |
| 14 | X01207 | AR | BOLT .37 X 1.25                     |
| 13 | X28041 | 1  | SHIELD GREASE LINE LH               |
|    | X28040 | 1  | SHIELD GREASE LINE RH               |
| 12 | X24177 | 2  | GRASE HOSE .18 X 21.5               |
| 11 | X02346 | AR | NUT .62 TOP LOCK                    |
|    | X01295 | AR | BOLT .62 X 3                        |
| 10 | X26871 | 4  | BEARIN 2.18 4 BOLT W SET SCREW LOCK |
| 9  | X02539 | 12 | NUT .5 X TOP LOCK                   |
|    | X01249 | 12 | BOLT .5 X 1.25                      |
| 8  | X28037 | 2  | MID BEARING PLATE                   |
| 7  | X02291 | 10 | GRASE FTG .12 STRAIGHT              |
| 6  | X02439 | 4  | .5 X .5 X 2.5                       |
| 5  | X27599 | 2  | COUPLER INNER                       |
| 4  | X01640 | 8  | LOCK WASHER .62                     |
|    | X02645 | 8  | BOLT 62X 2 GR8 FINE THREAD          |
| 3  | X27598 | 2  | COUPLER OUTER                       |
| 2  | X28189 | AR | ROTOR OUTER 26.5'                   |
|    | X28150 | AR | ROTOR OUTER 25'                     |
|    | X27563 | AR | ROTOR OUTER 24'                     |
|    | X27561 | AR | ROTOR OUTER 22'                     |
| 1  | X28188 | AR | ROTOR INNER 26.5'                   |
|    | X27569 | AR | ROTOR INNER 25'                     |
|    | X27562 | AR | ROTOR INNER 24'                     |
|    | X27569 | AR | ROTOR INNER 22'                     |

| ITEM | PART NO. | QTY. | DESCRIPTION |
|------|----------|------|-------------|
|------|----------|------|-------------|



**NOTE:**

TO ORDER A COMPLETE 1000 RPM PTO W/OVER-RUNNING CLUTCH, USE PART NUMBER X27024.

TO ORDER A COMPLETE TRACTOR HALF PTO W/SHIELD (ITEMS 13, 15, 16, 18, 20, 21, 23, 36), USE PART NUMBER X27072.

TO ORDER A COMPLETE IMPLEMENT HALF PTO W/SHIELD (ITEMS 11, 12, 14, 17, 19, 20, 22), USE PART NUMBER X27073.

TO ORDER A COMPLETE SAFETY GUARD (ITEMS 17, 18, 19, 20, 21, 22, 23), USE PART NUMBER X27076.

TO ORDER A COMPLETE TRACTOR HALF GUARD (ITEMS 18, 20, 21, 23), USE PART NUMBER X27074.

TO ORDER A COMPLETE IMPLEMENT HALF GUARD (ITEMS 17, 19, 20, 22), USE PART NUMBER X27075.

TO ORDER A COMPLETE TRACTOR HALF PTO W/O SHIELD (ITEMS 13, 15, 16, 36), USE PART NUMBER X27070.

TO ORDER A COMPLETE IMPLEMENT HALF PTO W/O SHIELD (ITEMS 11, 12, 14), USE PART NUMBER X27071.

| 36   | X18682   | 1    | YOKE, OUTER TUBE               | 18   | X18707   | 1    | O.BEARING, 8-9-0                 |
|------|----------|------|--------------------------------|------|----------|------|----------------------------------|
| 35   | X23077   | 2    | CLOSING PLATE HALF             | 17   | X27069   | 1    | TUBE, CM SAFETY (IMPLEMENT HALF) |
| 34   | X23076   | 1    | RING, SCREEN                   | 16   | X18700   | 1    | NUT, RING                        |
| 33   | X27041   | 1    | HUB (CLUTCH INNER)             | 15   | X27066   | 1    | TUBE, CM CARDAN (TRACTOR HALF)   |
| 32   | X23079   | 1    | CIRCLIP (SNAP RING)            | 14   | X27067   | 1    | TUBE, CM CARDAN (IMPLEMENT HALF) |
| 31   | X27040   | 1    | CLUTCH OUTER BODY              | 13   | X18714   | 1    | PIN, FLEXIBLE                    |
| 30   | X27043   | 1    | PIVOT PIN ASSEMBLY             | 12   | X18683   | 1    | YOKE, INNER TUBE                 |
| 29   | X27042   | 1    | RACHET W/SPRING                | 11   | X18715   | 1    | PIN, FLEXIBLE                    |
| 28   | X27039   | 1    | ZERK, GREASE NIPPLE            | 10   | X27035   | 1    | CLUTCH, FREE WHEEL RA2/8         |
| 27   | X23061   | 8    | CIRCLIP (SNAP RING)            | 9    | X18676   | 2    | CROSS JOURNAL COMPLETE           |
| 26   | X18716   | 2    | ZERK, GREASE NIPPLE            | 8    | X18732   | 1    | YOKE, 1-3/8" - 21                |
| 25   | X18702   | 1    | HUB (ROTARY LATCH)             | 7    | X27075   | 1    | GUARD, HALF (IMPLEMENT END)      |
| 24   | X18722   | 2    | PUSH BUTTON COMPLETE           | 6    | X27074   | 1    | GUARD, HALF (TRACTOR END)        |
| 23   | X27068   | 1    | TUBE, CM SAFETY (TRACTOR HALF) | 5    | X27071   | 1    | SHAFT, IMPLEMENT HALF W/O SHIELD |
| 22   | X27032   | 1    | I.CONE SETS, F8-9              | 4    | X27070   | 1    | SHAFT, TRACTOR HALF W/O SHIELD   |
| 21   | X27036   | 1    | O.CONE SETS, F8-9              | 3    | X27073   | 1    | SHAFT, IMPLEMENT HALF W/SHIELD   |
| 20   | X18704   | 2    | CHAIN COMPLETE                 | 2    | X27072   | 1    | SHAFT, TRACTOR HALF W/SHIELD     |
| 19   | X18708   | 1    | I.BEARING, 8-9-0               | 1    | X27076   | 1    | SAFETY GUARD COMPLETE            |
| ITEM | PART NO. | QTY. | DESCRIPTION                    | ITEM | PART NO. | QTY. | DESCRIPTION                      |

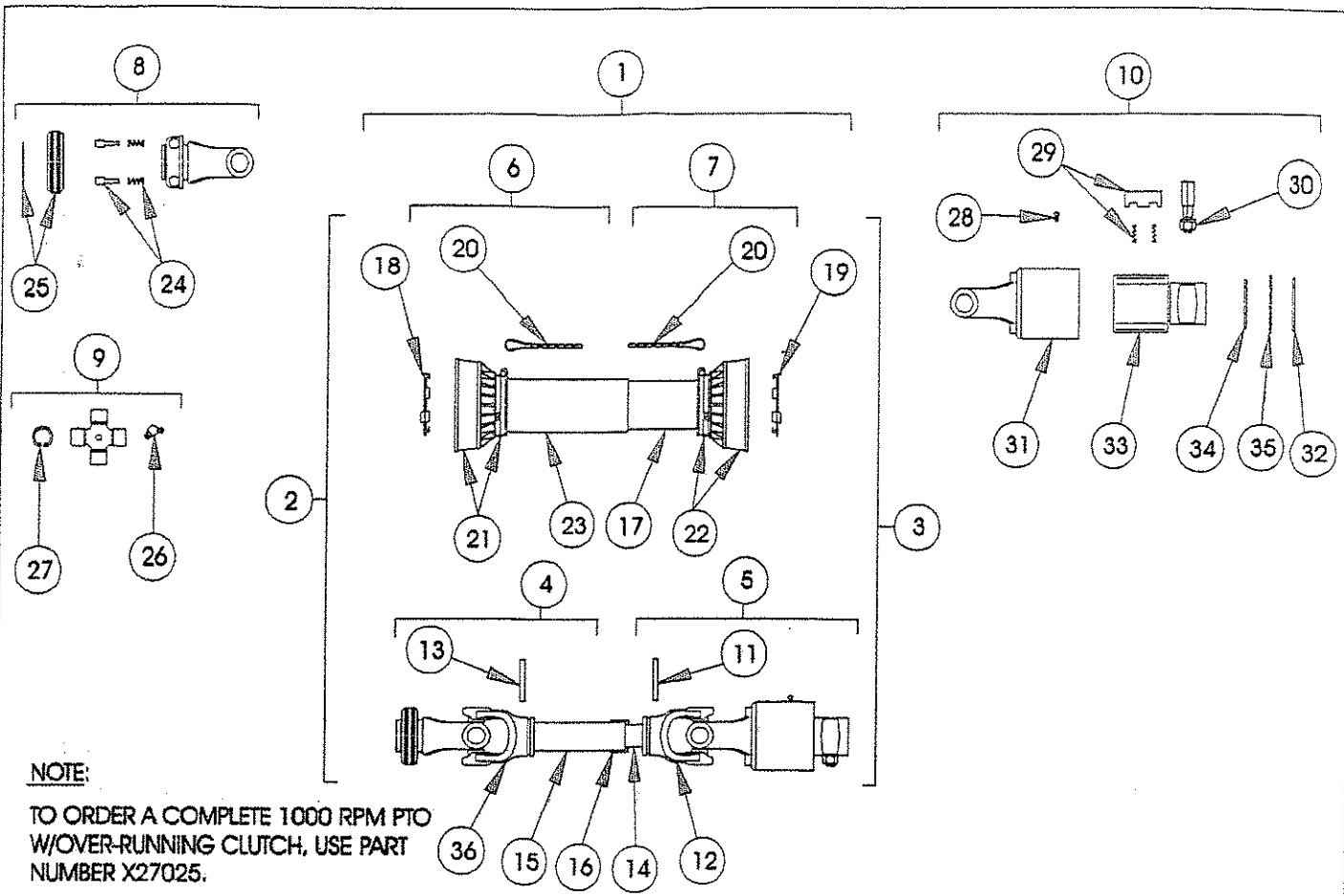


|      |          |                         |       |          |       |           |
|------|----------|-------------------------|-------|----------|-------|-----------|
| REV. | DATE     | DESCRIPTION OF REVISION | DATE  | 11-14-95 | SCALE | 1/4" = 1" |
| A    | 11-14-95 | ORIGINAL RELEASE        | DRAWN | TWS      |       |           |

1-3/8-21 PTO RA2 (1000 RPM)  
- PULL TYPE UNIT -

REF. NO. 27024  
DRAWING NO. SC500152





**NOTE:**

TO ORDER A COMPLETE 1000 RPM PTO W/OVER-RUNNING CLUTCH, USE PART NUMBER X27025.

TO ORDER A COMPLETE TRACTOR HALF PTO W/SHIELD (ITEMS 13, 15, 16, 18, 20, 21, 23, 36), USE PART NUMBER X27078.

TO ORDER A COMPLETE IMPLEMENT HALF PTO W/SHIELD (ITEMS 11, 12, 14, 17, 19, 20, 22), USE PART NUMBER X27073.

TO ORDER A COMPLETE SAFETY GUARD (ITEMS 17, 18, 19, 20, 21, 22, 23), USE PART NUMBER X27076.

TO ORDER A COMPLETE TRACTOR HALF GUARD (ITEMS 18, 20, 21, 23), USE PART NUMBER X27074.

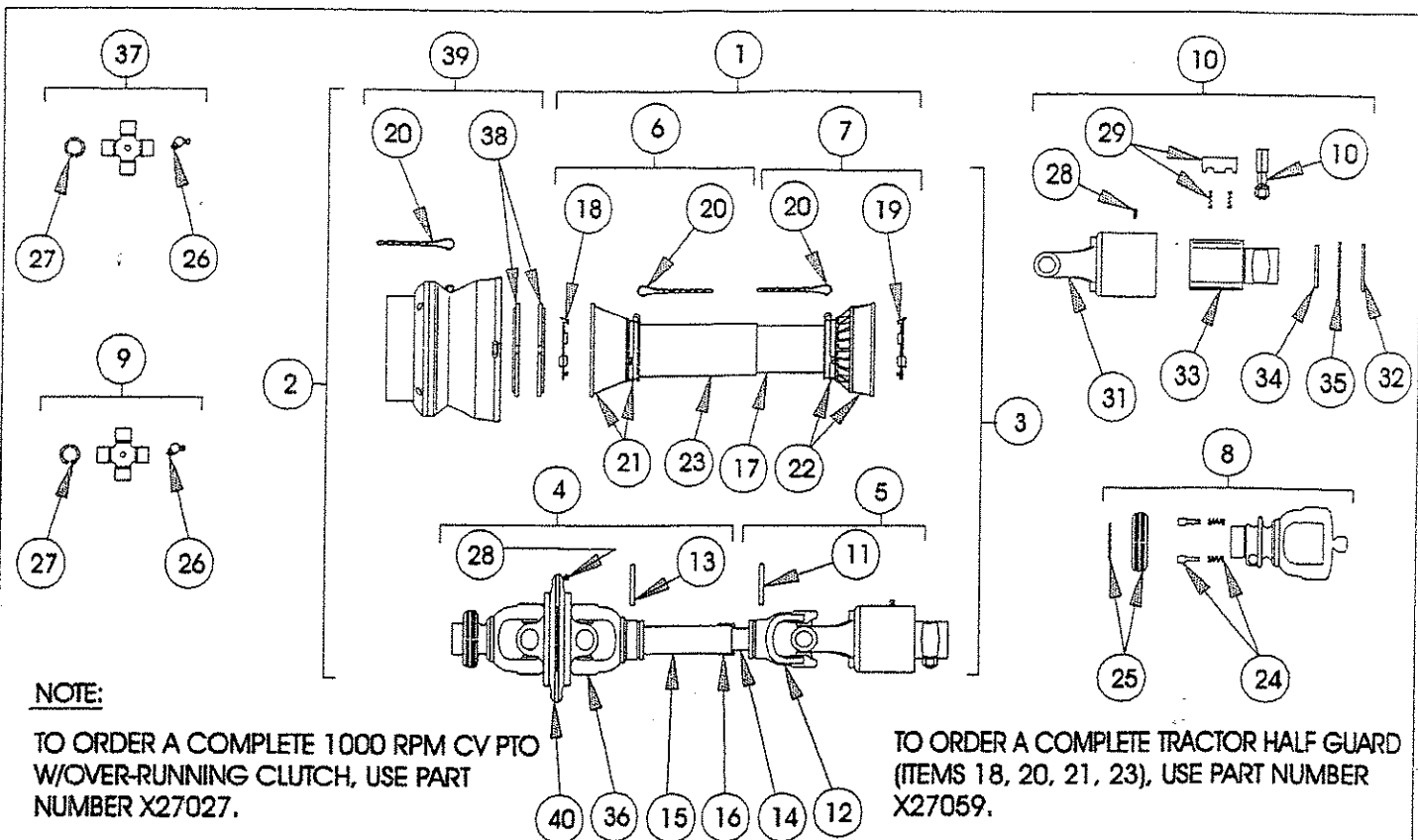
TO ORDER A COMPLETE IMPLEMENT HALF GUARD (ITEMS 17, 19, 20, 22), USE PART NUMBER X27075.

TO ORDER A COMPLETE TRACTOR HALF PTO W/O SHIELD (ITEMS 13, 15, 16, 36), USE PART NUMBER X27077.

TO ORDER A COMPLETE IMPLEMENT HALF PTO W/O SHIELD (ITEMS 11, 12, 14), USE PART NUMBER X27071.

|      |          |      |                                |      |          |      |                                  |
|------|----------|------|--------------------------------|------|----------|------|----------------------------------|
| 36   | X18682   | 1    | YOKE, OUTER TUBE               | 18   | X18707   | 1    | O.BEARING, 8-9-0                 |
| 35   | X23077   | 2    | CLOSING PLATE HALF             | 17   | X27069   | 1    | TUBE, CM SAFETY (IMPLEMENT HALF) |
| 34   | X23076   | 1    | RING, SCREEN                   | 16   | X18700   | 1    | NUT, RING                        |
| 33   | X27041   | 1    | HUB (CLUTCH INNER)             | 15   | X27066   | 1    | TUBE, CM CARDAN (TRACTOR HALF)   |
| 32   | X23079   | 1    | CIRCLIP (SNAP RING)            | 14   | X27067   | 1    | TUBE, CM CARDAN (IMPLEMENT HALF) |
| 31   | X27040   | 1    | CLUTCH OUTER BODY              | 13   | X18714   | 1    | PIN, FLEXIBLE                    |
| 30   | X27043   | 1    | PIVOT PIN ASSEMBLY             | 12   | X18683   | 1    | YOKE, INNER TUBE                 |
| 29   | X27042   | 1    | RACHET W/SPRING                | 11   | X18715   | 1    | PIN, FLEXIBLE                    |
| 28   | X27039   | 1    | ZERK, GREASE NIPPLE            | 10   | X27035   | 1    | CLUTCH, FREE WHEEL RA2/8         |
| 27   | X23061   | 8    | CIRCLIP (SNAP RING)            | 9    | X18676   | 2    | CROSS JOURNAL COMPLETE           |
| 26   | X18716   | 2    | ZERK, GREASE NIPPLE            | 8    | X23086   | 1    | YOKE, 1-3/4" - 20                |
| 25   | X18701   | 1    | HUB (ROTARY LATCH)             | 7    | X27075   | 1    | GUARD, HALF (IMPLEMENT END)      |
| 24   | X18722   | 2    | PUSH BUTTON COMPLETE           | 6    | X27074   | 1    | GUARD, HALF (TRACTOR END)        |
| 23   | X27068   | 1    | TUBE, CM SAFETY (TRACTOR HALF) | 5    | X27071   | 1    | SHAFT, IMPLEMENT HALF W/O SHIELD |
| 22   | X27032   | 1    | I.CONE SETS, F8-9              | 4    | X27077   | 1    | SHAFT, TRACTOR HALF W/O SHIELD   |
| 21   | X27036   | 1    | O.CONE SETS, F8-9              | 3    | X27073   | 1    | SHAFT, IMPLEMENT HALF W/SHIELD   |
| 20   | X18704   | 2    | CHAIN COMPLETE                 | 2    | X27078   | 1    | SHAFT, TRACTOR HALF W/SHIELD     |
| 19   | X18708   | 1    | I.BEARING, 8-9-0               | 1    | X27076   | 1    | SAFETY GUARD COMPLETE            |
| ITEM | PART NO. | QTY. | DESCRIPTION                    | ITEM | PART NO. | QTY. | DESCRIPTION                      |

**BALZER** A 11-14-95 ORIGINAL RELEASE DATE 11-14-95 SCALE 1/4" = 1" DRAWN TWS T-3/4-20 PTO RA2 (1000 RPM) REF. NO. 27025  
 REV. DATE DESCRIPTION OF REVISION - PULL TYPE UNIT - DRAWING NO. SC500153



**NOTE:**

TO ORDER A COMPLETE 1000 RPM CV PTO W/OVER-RUNNING CLUTCH, USE PART NUMBER X27027.

TO ORDER A COMPLETE TRACTOR HALF CV PTO W/SHIELD (ITEMS 13, 15, 16, 18, 20, 21, 23, 28, 36, 38, 40), USE PART NUMBER X27063.

TO ORDER A COMPLETE IMPLEMENT HALF CV PTO W/SHIELD (ITEMS 11, 12, 14, 17, 19, 20, 22), USE PART NUMBER X27058.

TO ORDER A COMPLETE SAFETY GUARD (ITEMS 17, 18, 19, 20, 21, 22, 23), USE PART NUMBER X27061.

TO ORDER A COMPLETE TRACTOR HALF GUARD (ITEMS 18, 20, 21, 23), USE PART NUMBER X27059.

TO ORDER A COMPLETE IMPLEMENT HALF GUARD (ITEMS 17, 19, 20, 22), USE PART NUMBER X27060.

TO ORDER A COMPLETE TRACTOR HALF CV PTO W/O SHIELD (ITEMS 13, 15, 16, 28, 36, 40), USE PART NUMBER X27062.

TO ORDER A COMPLETE IMPLEMENT HALF CV PTO W/O SHIELD (ITEMS 11, 12, 14), USE PART NUMBER X27056.

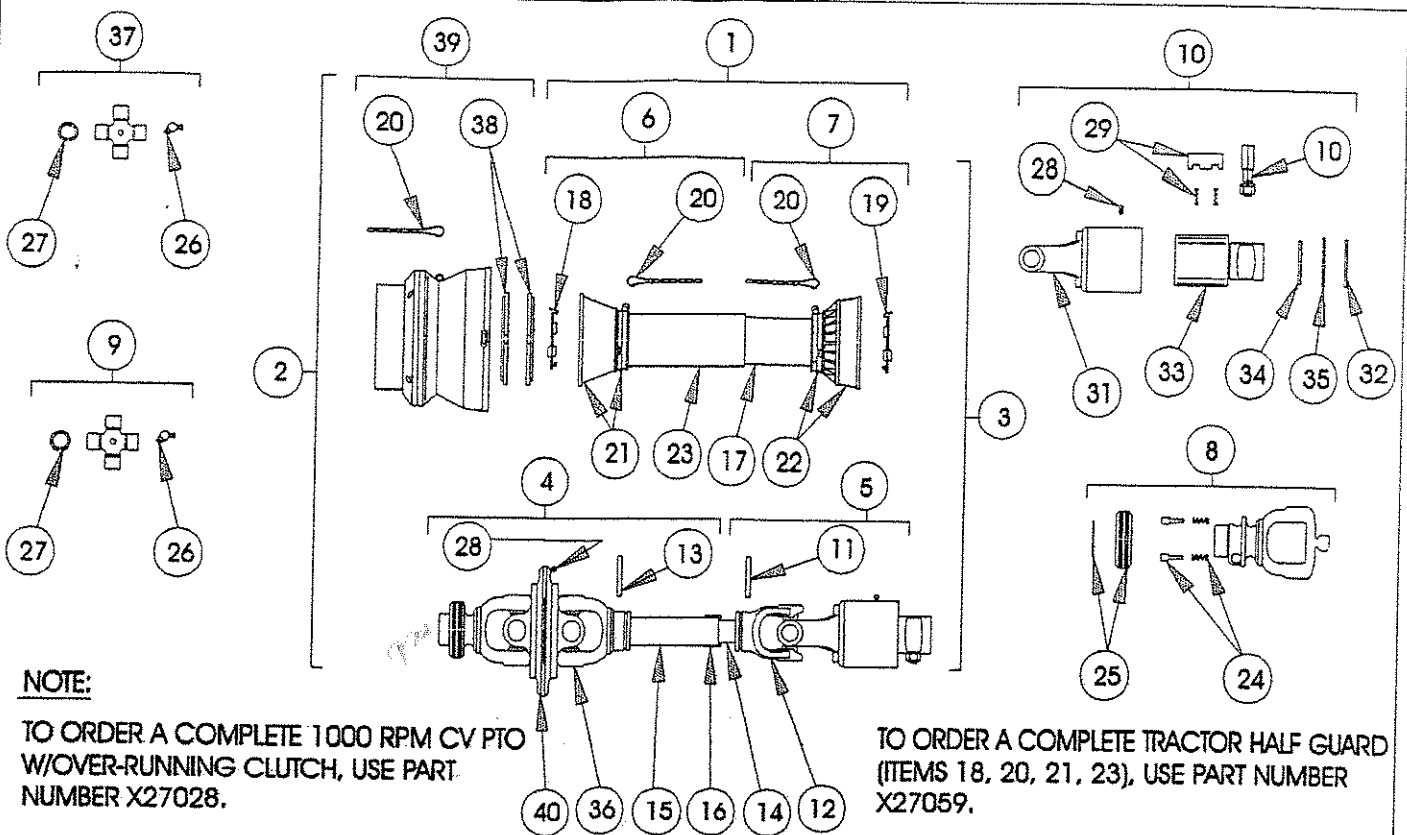
|      |          |      |                                       |      |          |      |   |
|------|----------|------|---------------------------------------|------|----------|------|---|
| 40   | X23011   | 1    | CENTRAL BODY                          | 20   | X18704   | 3    | CHAIN COMPLETE                          |
| 39   | X18743   | 1    | COMPLETE SHELL                        | 19   | X18708   | 1    | I.BEARING, 8-9-0                        |
| 38   | X18771   | 1    | DOWELS, RING NUT                      | 18   | X18707   | 1    | O.BEARING, 8-9-0                        |
| 37   | X23008   | 2    | CROSS JOURNAL ASSEMBLY (TRACTOR HALF) | 17   | X27054   | 1    | TUBE, CM SAFETY (IMPLEMENT HALF)        |
| 36   | X18749   | 1    | YOKE, OUTER TUBE                      | 16   | X18762   | 1    | NUT, RING                               |
| 35   | X23077   | 2    | CLOSING PLATE HALF                    | 15   | X27051   | 1    | TUBE, CM CARDAN (TRACTOR HALF)          |
| 34   | X23076   | 1    | RING, SCREEN                          | 14   | X27052   | 1    | TUBE, CM CARDAN (IMPLEMENT HALF)        |
| 33   | X27041   | 1    | HUB (CLUTCH INNER)                    | 13   | X18714   | 1    | PIN, FLEXIBLE                           |
| 32   | X23079   | 1    | CIRCLIP (SNAP RING)                   | 12   | X18683   | 1    | YOKE, INNER TUBE                        |
| 31   | X27040   | 1    | CLUTCH OUTER BODY                     | 11   | X18715   | 1    | PIN, FLEXIBLE                           |
| 30   | X27043   | 1    | PIVOT PIN ASSEMBLY                    | 10   | X27035   | 1    | CLUTCH, FREE WHEEL RA2/8                |
| 29   | X27042   | 1    | RAATCHET W/SPRING                     | 9    | X18676   | 1    | CROSS JOURNAL ASSEMBLY (IMPLEMENT HALF) |
| 28   | X23004   | 2    | ZERK, GREASE NIPPLE                   | 8    | X18738   | 1    | YOKE, 1-3/8" - 21 RS                    |
| 27   | X23061   | 12   | CIRCLIP (SNAP RING)                   | 7    | X27060   | 1    | GUARD, HALF (IMPLEMENT END)             |
| 26   | X18716   | 3    | ZERK, GREASE NIPPLE                   | 6    | X27059   | 1    | GUARD, HALF (TRACTOR END)               |
| 25   | X18702   | 1    | HUB (ROTARY LATCH)                    | 5    | X27056   | 1    | SHAFT, IMPLEMENT HALF W/O SHIELD        |
| 24   | X18720   | 2    | PUSH BUTTON COMPLETE                  | 4    | X27062   | 1    | SHAFT, TRACTOR HALF W/O SHIELD          |
| 23   | X27053   | 1    | TUBE, CM SAFETY (TRACTOR HALF)        | 3    | X27058   | 1    | SHAFT, IMPLEMENT HALF W/SHIELD          |
| 22   | X27032   | 1    | I.CONE SETS, F8-9                     | 2    | X27063   | 1    | SHAFT, TRACTOR HALF W/SHIELD            |
| 21   | X18766   | 1    | O.CONE SETS, N8-9                     | 1    | X27061   | 1    | SAFETY GUARD ASSEMBLY                   |
| ITEM | PART NO. | QTY. | DESCRIPTION                           | ITEM | PART NO. | QTY. | DESCRIPTION                             |



|      |          |                         |          |             |       |
|------|----------|-------------------------|----------|-------------|-------|
| REV. | DATE     | DESCRIPTION OF REVISION | DATE     | SCALE       | DRAWN |
| A    | 11-14-95 | ORIGINAL RELEASE        | 11-14-95 | 1 1/2" = 1" | TWS   |

1-3/8-21 CV PTO RA2  
-PULL TYPE UNIT (1000 RPM)-

REF. NO. 27027  
DRAWING NO. SC500155



**NOTE:**

TO ORDER A COMPLETE 1000 RPM CV PTO W/OVER-RUNNING CLUTCH, USE PART NUMBER X27028.

TO ORDER A COMPLETE TRACTOR HALF CV PTO W/SHIELD (ITEMS 13, 15, 16, 18, 20, 21, 23, 28, 36, 38, 40), USE PART NUMBER X27065.

TO ORDER A COMPLETE IMPLEMENT HALF CV PTO W/SHIELD (ITEMS 11, 12, 14, 17, 19, 20, 22), USE PART NUMBER X27058.

TO ORDER A COMPLETE SAFETY GUARD (ITEMS 17, 18, 19, 20, 21, 22, 23), USE PART NUMBER X27061.

TO ORDER A COMPLETE TRACTOR HALF GUARD (ITEMS 18, 20, 21, 23), USE PART NUMBER X27059.

TO ORDER A COMPLETE IMPLEMENT HALF GUARD (ITEMS 17, 19, 20, 22), USE PART NUMBER X27060.

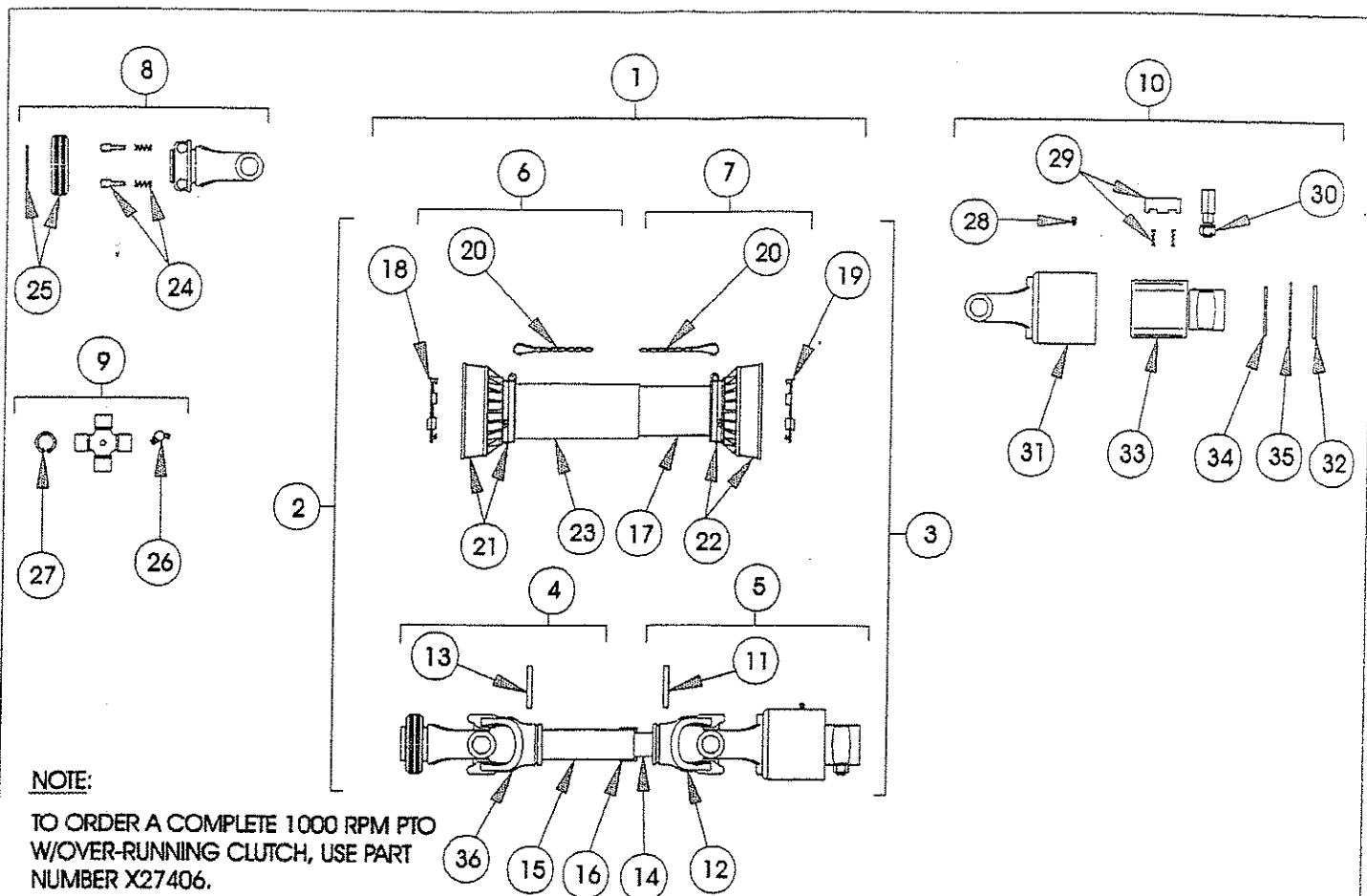
TO ORDER A COMPLETE TRACTOR HALF CV PTO W/O SHIELD (ITEMS 13, 15, 16, 28, 36, 40), USE PART NUMBER X27064.

TO ORDER A COMPLETE IMPLEMENT HALF CV PTO W/O SHIELD (ITEMS 11, 12, 14), USE PART NUMBER X27056.

|      |          |      |                                       |      |          |      |   |
|------|----------|------|---------------------------------------|------|----------|------|---|
| 40   | X23011   | 1    | CENTRAL BODY                          | 20   | X18704   | 3    | CHAIN COMPLETE                          |
| 39   | X18743   | 1    | COMPLETE SHELL                        | 19   | X18708   | 1    | I.BEARING, 8-9-0                        |
| 38   | X18771   | 1    | DOWELS, RING NUT                      | 18   | X18707   | 1    | O.BEARING, 8-9-0                        |
| 37   | X23008   | 2    | CROSS JOURNAL ASSEMBLY (TRACTOR HALF) | 17   | X27054   | 1    | TUBE, CM SAFETY (IMPLEMENT HALF)        |
| 36   | X18749   | 1    | YOKE, OUTER TUBE                      | 16   | X18762   | 1    | NUT, RING                               |
| 35   | X23077   | 2    | CLOSING PLATE HALF                    | 15   | X27051   | 1    | TUBE, CM CARDAN (TRACTOR HALF)          |
| 34   | X23076   | 1    | RING, SCREEN                          | 14   | X27052   | 1    | TUBE, CM CARDAN (IMPLEMENT HALF)        |
| 33   | X27041   | 1    | HUB (CLUTCH INNER)                    | 13   | X18714   | 1    | PIN, FLEXIBLE                           |
| 32   | X23079   | 1    | CIRCLIP (SNAP RING)                   | 12   | X18683   | 1    | YOKE, INNER TUBE                        |
| 31   | X27040   | 1    | CLUTCH OUTER BODY                     | 11   | X18715   | 1    | PIN, FLEXIBLE                           |
| 30   | X27043   | 1    | PIVOT PIN ASSEMBLY                    | 10   | X27035   | 1    | CLUTCH, FREE WHEEL RA2/8                |
| 29   | X27042   | 1    | RATCHET W/SPRING                      | 9    | X18676   | 1    | CROSS JOURNAL ASSEMBLY (IMPLEMENT HALF) |
| 28   | X23004   | 2    | ZERK, GREASE NIPPLE                   | 8    | X23085   | 1    | YOKE, 1-3/4" - 20 RS                    |
| 27   | X18711   | 12   | CIRCLIP (SNAP RING)                   | 7    | X27060   | 1    | GUARD, HALF (IMPLEMENT END)             |
| 26   | X18716   | 3    | ZERK, GREASE NIPPLE                   | 6    | X27059   | 1    | GUARD, HALF (TRACTOR END)               |
| 25   | X18701   | 1    | HUB (ROTARY LATCH)                    | 5    | X27056   | 1    | SHAFT, IMPLEMENT HALF W/O SHIELD        |
| 24   | X18721   | 2    | PUSH BUTTON COMPLETE                  | 4    | X27064   | 1    | SHAFT, TRACTOR HALF W/O SHIELD          |
| 23   | X27053   | 1    | TUBE, CM SAFETY (TRACTOR HALF)        | 3    | X27058   | 1    | SHAFT, IMPLEMENT HALF W/SHIELD          |
| 22   | X27032   | 1    | I.CONE SETS, F8-9                     | 2    | X27065   | 1    | SHAFT, TRACTOR HALF W/SHIELD            |
| 21   | X18766   | 1    | O.CONE SETS, N8-9                     | 1    | X27061   | 1    | SAFETY GUARD ASSEMBLY                   |
| ITEM | PART NO. | QTY. | DESCRIPTION                           | ITEM | PART NO. | QTY. | DESCRIPTION                             |

**BALZER** A 11-15-95 ORIGINAL RELEASE DATE 11-18-95 SCALE 1/4" = 1" DRAWING NO. SC500156

1-3/4-20 CV PTO RA2 -PULL TYPE UNIT (1000 RPM)- REF. NO. 27028



**NOTE:**

TO ORDER A COMPLETE 1000 RPM PTO W/OVER-RUNNING CLUTCH, USE PART NUMBER X27406.

TO ORDER A COMPLETE TRACTOR HALF PTO W/SHIELD (ITEMS 13, 15, 16, 18, 20, 21, 23, 36), USE PART NUMBER X27046.

TO ORDER A COMPLETE IMPLEMENT HALF PTO W/SHIELD (ITEMS 11, 12, 14, 17, 19, 20, 22), USE PART NUMBER X27047.

TO ORDER A COMPLETE SAFETY GUARD (ITEMS 17, 18, 19, 20, 21, 22, 23), USE PART NUMBER X27050.

TO ORDER A COMPLETE TRACTOR HALF GUARD (ITEMS 18, 20, 21, 23), USE PART NUMBER X27048.

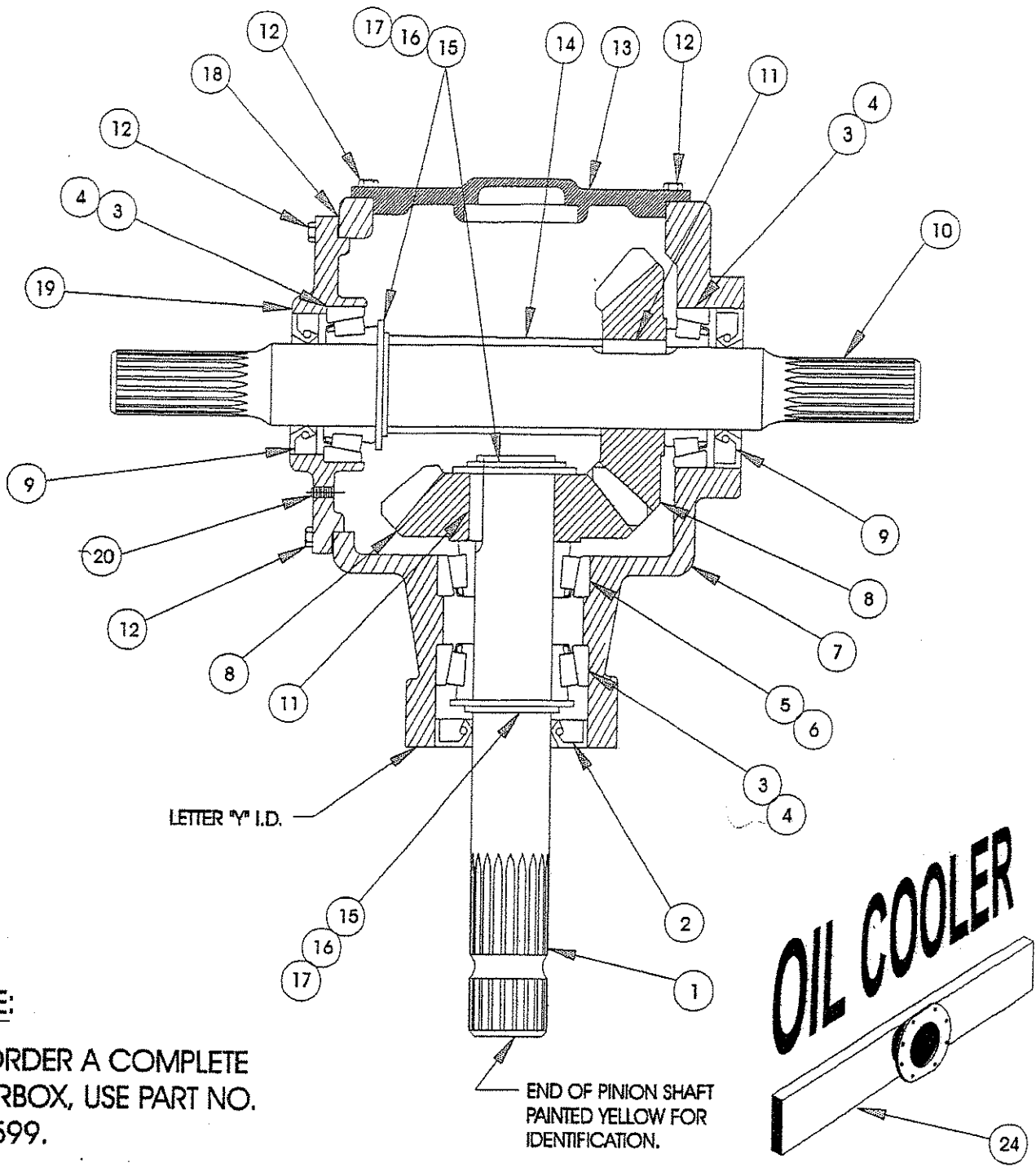
TO ORDER A COMPLETE IMPLEMENT HALF GUARD (ITEMS 17, 19, 20, 22), USE PART NUMBER X27049.

TO ORDER A COMPLETE TRACTOR HALF PTO W/O SHIELD (ITEMS 13, 15, 16, 36), USE PART NUMBER X27044.

TO ORDER A COMPLETE IMPLEMENT HALF PTO W/O SHIELD (ITEMS 11, 12, 14), USE PART NUMBER X27045.

|      |          |      |                                |      |          |      |                                  |
|------|----------|------|--------------------------------|------|----------|------|----------------------------------|
| 36   | X18682   | 1    | YOKE, OUTER TUBE               | 18   | X18707   | 1    | O.BEARING, 8-9-0                 |
| 35   | X23077   | 2    | CLOSING PLATE HALF             | 17   | X27038   | 1    | TUBE, CM SAFETY (IMPLEMENT HALF) |
| 34   | X23076   | 1    | RING, SCREEN                   | 16   | X18700   | 1    | NUT, RING                        |
| 33   | X27041   | 1    | HUB (CLUTCH INNER)             | 15   | X27033   | 1    | TUBE, CM CARDAN (TRACTOR HALF)   |
| 32   | X23079   | 1    | CIRCLIP (SNAP RING)            | 14   | X27034   | 1    | TUBE, CM CARDAN (IMPLEMENT HALF) |
| 31   | X27040   | 1    | CLUTCH OUTER BODY              | 13   | X18714   | 1    | PIN, FLEXIBLE                    |
| 30   | X27043   | 1    | PIVOT PIN ASSEMBLY             | 12   | X18683   | 1    | YOKE, INNER TUBE                 |
| 29   | X27042   | 1    | RACHET W/SPRING                | 11   | X18715   | 1    | PIN, FLEXIBLE                    |
| 28   | X27039   | 1    | ZERK, GREASE NIPPLE            | 10   | X27035   | 1    | CLUTCH, FREE WHEEL RA2/8         |
| 27   | X23061   | 8    | CIRCLIP (SNAP RING)            | 9    | X18676   | 2    | CROSS JOURNAL COMPLETE           |
| 26   | X18716   | 2    | ZERK, GREASE NIPPLE            | 8    | X23086   | 1    | YOKE, 1-3/4 - 20                 |
| 25   | X18702   | 1    | HUB (ROTARY LATCH)             | 7    | X27049   | 1    | GUARD, HALF (IMPLEMENT END)      |
| 24   | X18722   | 2    | PUSH BUTTON COMPLETE           | 6    | X27048   | 1    | GUARD, HALF (TRACTOR END)        |
| 23   | X27037   | 1    | TUBE, CM SAFETY (TRACTOR HALF) | 5    | X27045   | 1    | SHAFT, IMPLEMENT HALF W/O SHIELD |
| 22   | X27032   | 1    | I.CONE SETS, F8-9              | 4    | X27044   | 1    | SHAFT, TRACTOR HALF W/O SHIELD   |
| 21   | X27036   | 1    | O.CONE SETS, F8-9              | 3    | X27047   | 1    | SHAFT, IMPLEMENT HALF W/SHIELD   |
| 20   | X18704   | 2    | CHAIN COMPLETE                 | 2    | X27046   | 1    | SHAFT, TRACTOR HALF W/SHIELD     |
| 19   | X18708   | 1    | I.BEARING, 8-9-0               | 1    | X27050   | 1    | SAFETY GUARD COMPLETE            |
| ITEM | PART NO. | QTY. | DESCRIPTION                    | ITEM | PART NO. | QTY. | DESCRIPTION                      |

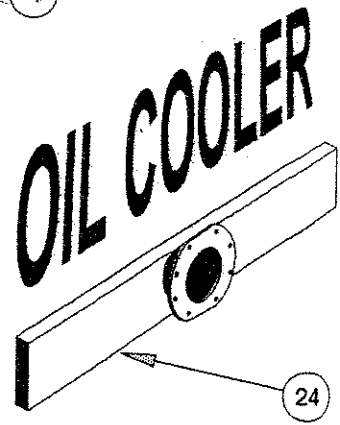
|  |      |          |                         |       |           |   |             |          |
|--|------|----------|-------------------------|-------|-----------|---|-------------|----------|
|  | A    | 12-27-95 | ORIGINAL RELEASE        | DATE  | 12-27-95  | 1-3/4-20 PTO RA2 (1000 RPM)<br>SEMI MOUNT + FULL MOUNT UNIT | REF. NO.    | 27406    |
|  | REV. | DATE     | DESCRIPTION OF REVISION | SCALE | 1/8" = 1" |   | DRAWING NO. | SC500158 |




**NOTE:**

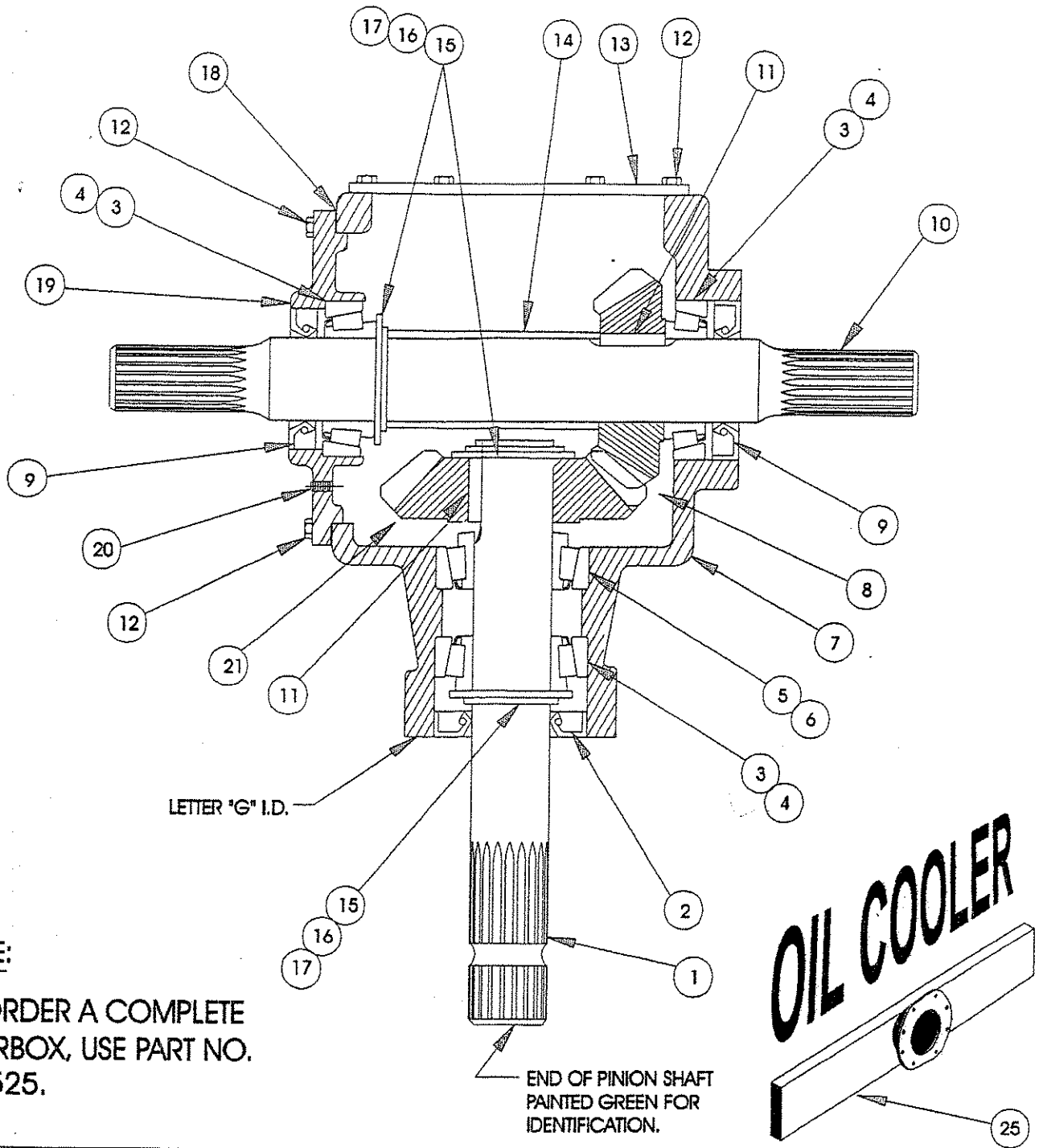
TO ORDER A COMPLETE GEARBOX, USE PART NO. X21599.

END OF PINION SHAFT PAINTED YELLOW FOR IDENTIFICATION.



| 24   | X36299   | 1    | OIL COOLER                               | 12   | XO1206   | 16   | BOLT, 3/8" UNC X 1" LG. HEX HD GR. 5 |
|------|----------|------|--|------|----------|------|--------------------------------------|
| 23   | X13038   | 1    | BUSHING, 1/2" X 1/8" REDUCER (NOT SHOWN) | 11   | X17185   | 2    | KEY, 3/8" SQ. X 1.46" LG.            |
| 22   | X13181   | 1    | PLUG, 1/2" NPT PIPE (NOT SHOWN)          | 10   | X22619   | 1    | SHAFT, THRU                          |
| 21   | X13097   | 1    | PLUG, 1/8" NPT VENT (NOT SHOWN)          | 9    | X22264   | 2    | SEAL OIL (NAT473448)                 |
| 20   | XO6697   | 1    | PLUG, 1/4" NPT PIPE                      | 8    | X22599   | 2    | GEAR, 22T W/1.75" BORE               |
| 19   | X22614   | 1    | COVER, OPEN                              | 7    | X22595   | 1    | HOUSING, SIDE PORT                   |
| 18   | X22604   | AR.  | SHIM, .007" (COVER)                      | 6    | X22602   | 1    | CUP, BEARING (3730)                  |
| 17   | X22603   | AR.  | SHIM, .007" (1.75" DIA. SHAFT)           | 5    | X17205   | 1    | CONE, BEARING (3782)                 |
| 16   | X22611   | 3    | WASHER, 1.75" I.D. X .179" THK.          | 4    | XO8491   | 3    | CUP, BEARING (25520)                 |
| 15   | X22606   | 3    | RING, SNAP (5160 - 175)                  | 3    | X11477   | 3    | CONE, BEARING (25581)                |
| 14   | X22610   | 1    | SPACER                                   | 2    | X22594   | 1    | SEAL, OIL                            |
| 13   | X22615   | 1    | COVER, CLOSED                            | 1    | X22620   | 1    | SHAFT, PINION                        |
| ITEM | PART NO. | QTY. | DESCRIPTION                              | ITEM | PART NO. | QTY. | DESCRIPTION                          |

**BALZER**  A 9-25-95 ORIGINAL RELEASE DATE 9-25-95 SCALE 1/4" = 1" REF. NO. 21599  
 REV. DATE DESCRIPTION OF REVISION DRAWN TWS GEARBOX - 1000 RPM (1:1 RATIO) 1500 ROTOR SPEED DRAWING NO. SC500147



**NOTE:**

TO ORDER A COMPLETE  
GEARBOX, USE PART NO.  
X21525.

| 25   | X36299   | 1    | OIL COOLER                               | 12   | XO1206   | 16   | BOLT, 3/8" UNC X 1" LG. HEX HD GR. 5 |
|------|----------|------|--|------|----------|------|--------------------------------------|
| 24   | X13038   | 1    | BUSHING, 1/2" X 1/8" REDUCER (NOT SHOWN) | 11   | X17185   | 2    | KEY, 3/8" SQ. X 1.46" LG.            |
| 23   | X13181   | 1    | PLUG, 1/2" NPT PIPE (NOT SHOWN)          | 10   | X22619   | 1    | SHAFT, THRU                          |
| 22   | X13097   | 1    | PLUG, 1/8" NPT VENT (NOT SHOWN)          | 9    | X22264   | 2    | SEAL OIL (NAT473448)                 |
| 21   | X22600   | 1    | GEAR, 27T                                | 8    | X22601   | 1    | GEAR, 20T                            |
| 20   | XO6997   | 1    | PLUG, 1/4" NPT PIPE                      | 7    | X22595   | 1    | HOUSING                              |
| 19   | X22614   | 1    | COVER, OPEN                              | 6    | X22602   | 1    | CUP BEARING (3730)                   |
| 18   | X22604   | AR.  | SHIM, .007" (COVER)                      | 5    | X17205   | 1    | CONE BEARING (3782)                  |
| 17   | X22603   | AR.  | SHIM, .007" (1.75" DIA. SHAFT)           | 4    | XO8491   | 3    | CUP BEARING (25520)                  |
| 16   | X22611   | 3    | WASHER, 1.75" I.D. X .179" THK.          | 3    | X11477   | 3    | CONE BEARING (25581)                 |
| 15   | X22606   | 3    | RING, SNAP (5160 - 175)                  | 2    | X22594   | 1    | SEAL OIL                             |
| 14   | X22610   | 1    | SPACER                                   | 1    | X22620   | 1    | SHAFT, PINION                        |
| 13   | X22613   | 1    | COVER, PLATE                             |      |          |      |                                      |
| ITEM | PART NO. | QTY. | DESCRIPTION                              | ITEM | PART NO. | QTY. | DESCRIPTION                          |

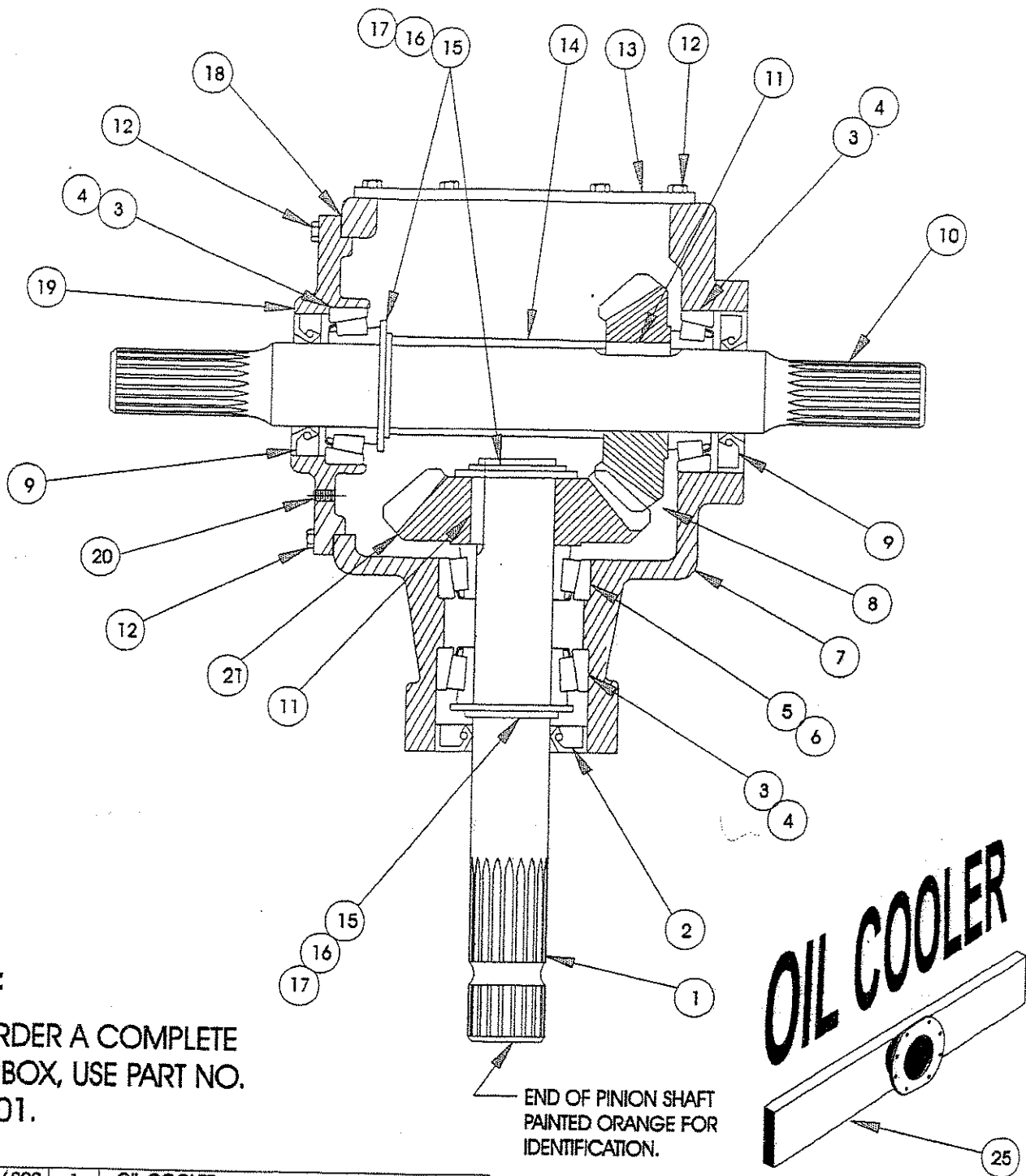


A 9-27-95 ORIGINAL RELEASE  
REV. DATE DESCRIPTION OF REVISION

DATE 9-27-95  
SCALE 1/4" = 1"  
DRAWN TWS

GEARBOX - 1000 RPM  
(1:1.35 RATIO) 2000 ROTOR SPEED

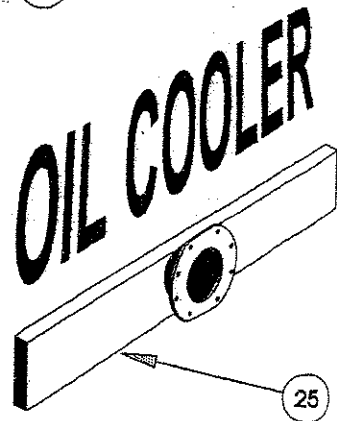
REF. NO. 21525  
DRAWING NO. SC500149



**NOTE:**

TO ORDER A COMPLETE GEARBOX, USE PART NO. X22501.

END OF PINION SHAFT PAINTED ORANGE FOR IDENTIFICATION.



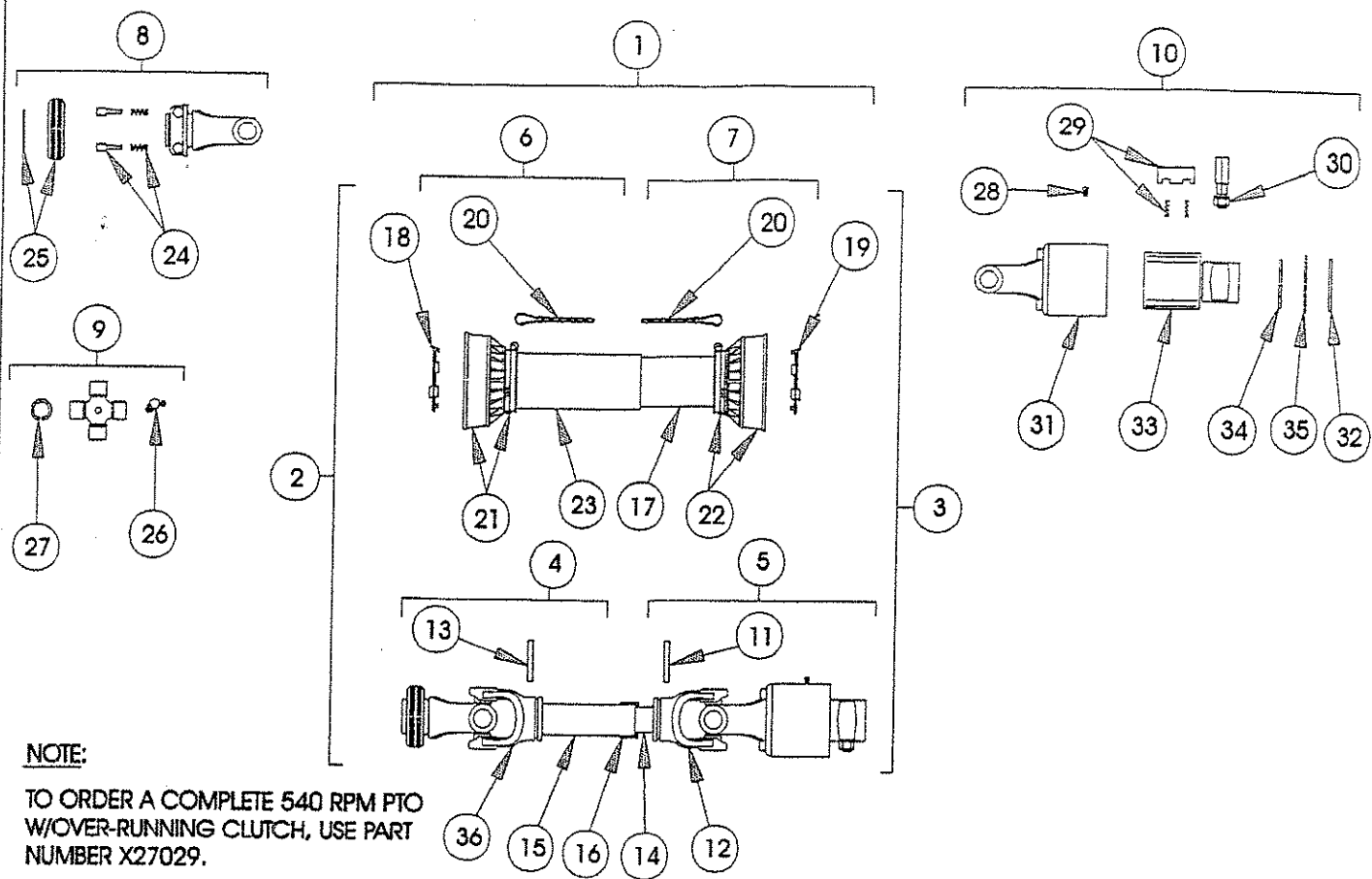
| 25   | X36299   | 1    | OIL COOLER                               |
|------|----------|------|--|
| 24   | X13038   | 1    | BUSHING, 1/2" X 1/8" REDUCER (NOT SHOWN) |
| 23   | X13181   | 1    | PLUG, 1/2" NPT PIPE (NOT SHOWN)          |
| 22   | X13097   | 1    | PLUG, 1/8" NPT VENT (NOT SHOWN)          |
| 21   | X22618   | 1    | GEAR, 28T                                |
| 20   | XO6997   | 1    | PLUG, 1/4" NPT PIPE                      |
| 19   | X22614   | 1    | COVER, OPEN                              |
| 18   | X22604   | AR.  | SHIM, .007" (COVER)                      |
| 17   | X22603   | AR.  | SHIM, .007" (1.75" DIA. SHAFT)           |
| 16   | X22611   | 3    | WASHER, 1.75" I.D. X .179" THK.          |
| 15   | X22606   | 3    | RING, SNAP (5160 - 175)                  |
| 14   | X22610   | 1    | SPACER                                   |
| 13   | X22613   | 1    | COVER, PLATE                             |
| ITEM | PART NO. | QTY. | DESCRIPTION                              |

| 12   | XO1206   | 16   | BOLT, 3/8" UNC X 1" LG. HEX HD GR. 5 |
|------|----------|------|--------------------------------------|
| 11   | X17185   | 2    | KEY, 3/8" SQ. X 1.46" LG.            |
| 10   | X22619   | 1    | SHAFT, THRU                          |
| 9    | X22264   | 2    | SEAL, OIL (NAT473448)                |
| 8    | X22617   | 1    | GEAR, 24T                            |
| 7    | X22595   | 1    | HOUSING                              |
| 6    | X22602   | 1    | CUP BEARING (3730)                   |
| 5    | X17205   | 1    | CONE, BEARING (3782)                 |
| 4    | XO8491   | 3    | CUP BEARING (25520)                  |
| 3    | X11477   | 3    | CONE, BEARING (25581)                |
| 2    | X22594   | 1    | SEAL, OIL                            |
| 1    | X22620   | 1    | SHAFT, PINION                        |
| ITEM | PART NO. | QTY. | DESCRIPTION                          |



A 9-27-95 ORIGINAL RELEASE DATE 9-27-95 SCALE 1/4" = 1" DRAWN TWS

GEARBOX - 1000 RPM (1:1.147 RATIO) 1750 ROTOR SPEED REF. NO. 22501 DRAWING NO. SC500150



**NOTE:**

TO ORDER A COMPLETE 540 RPM PTO W/OVER-RUNNING CLUTCH, USE PART NUMBER X27029.

TO ORDER A COMPLETE TRACTOR HALF PTO W/SHIELD (ITEMS 13, 15, 16, 18, 20, 21, 23, 36), USE PART NUMBER X27046.

TO ORDER A COMPLETE IMPLEMENT HALF PTO W/SHIELD (ITEMS 11, 12, 14, 17, 19, 20, 22), USE PART NUMBER X27047.

TO ORDER A COMPLETE SAFETY GUARD (ITEMS 17, 18, 19, 20, 21, 22, 23), USE PART NUMBER X27050.

TO ORDER A COMPLETE TRACTOR HALF GUARD (ITEMS 18, 20 21, 23), USE PART NUMBER X27048.

TO ORDER A COMPLETE IMPLEMENT HALF GUARD (ITEMS 17, 19, 20, 22), USE PART NUMBER X27049.

TO ORDER A COMPLETE TRACTOR HALF PTO W/O SHIELD (ITEMS 13, 15, 16, 36), USE PART NUMBER X27044.

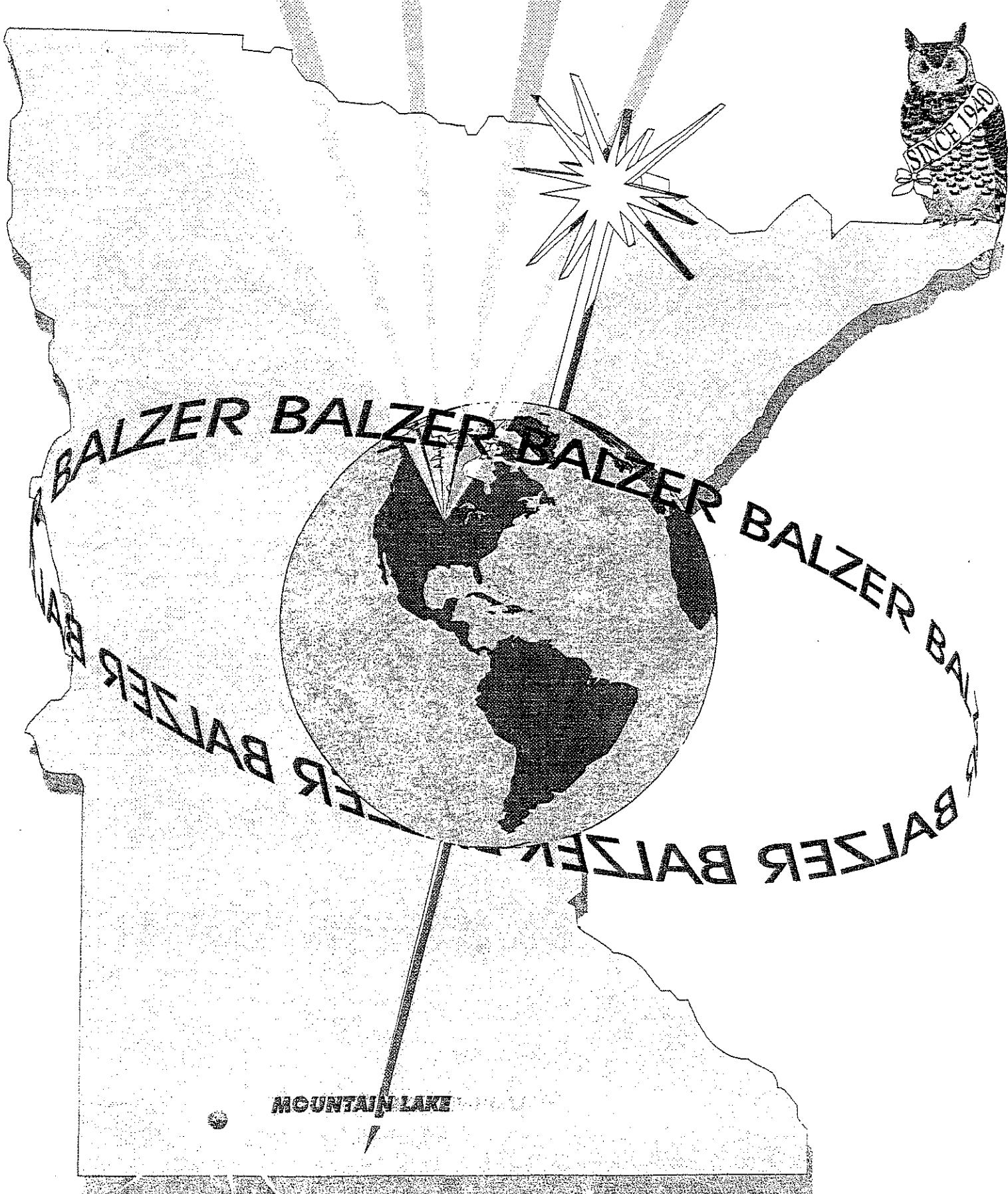
TO ORDER A COMPLETE IMPLEMENT HALF PTO W/O SHIELD (ITEMS 11, 12, 14), USE PART NUMBER X27045.

| 36   | X18682   | 1    | YOKE, OUTER TUBE               | 18   | X18707   | 1    | O.BEARING, 8-9-0                 |
|------|----------|------|--------------------------------|------|----------|------|----------------------------------|
| 35   | X23077   | 2    | CLOSING PLATE HALF             | 17   | X27038   | 1    | TUBE, CM SAFETY (IMPLEMENT HALF) |
| 34   | X23076   | 1    | RING, SCREEN                   | 16   | X18700   | 1    | NUT, RING                        |
| 33   | X27041   | 1    | HUB (CLUTCH INNER)             | 15   | X27033   | 1    | TUBE, CM CARDAN (TRACTOR HALF)   |
| 32   | X23079   | 1    | CIRCLIP (SNAP RING)            | 14   | X27034   | 1    | TUBE, CM CARDAN (IMPLEMENT HALF) |
| 31   | X27040   | 1    | CLUTCH OUTER BODY              | 13   | X18714   | 1    | PIN, FLEXIBLE                    |
| 30   | X27043   | 1    | PIVOT PIN ASSEMBLY             | 12   | X18683   | 1    | YOKE, INNER TUBE                 |
| 29   | X27042   | 1    | RACHET W/SPRING                | 11   | X18715   | 1    | PIN, FLEXIBLE                    |
| 28   | X27039   | 1    | ZERK, GREASE NIPPLE            | 10   | X27035   | 1    | CLUTCH, FREE WHEEL RA2/8         |
| 27   | X23061   | 8    | CIRCLIP (SNAP RING)            | 9    | X18676   | 2    | CROSS JOURNAL COMPLETE           |
| 26   | X18716   | 2    | ZERK, GREASE NIPPLE            | 8    | X18732   | 1    | YOKE, 1-3/8" - 6                 |
| 25   | X18702   | 1    | HUB (ROTARY LATCH)             | 7    | X27049   | 1    | GUARD, HALF (IMPLEMENT END)      |
| 24   | X18722   | 2    | PUSH BUTTON COMPLETE           | 6    | X27048   | 1    | GUARD, HALF (TRACTOR END)        |
| 23   | X27037   | 1    | TUBE, CM SAFETY (TRACTOR HALF) | 5    | X27045   | 1    | SHAFT, IMPLEMENT HALF W/O SHIELD |
| 22   | X27032   | 1    | I.CONE SETS, F8-9              | 4    | X27044   | 1    | SHAFT, TRACTOR HALF W/O SHIELD   |
| 21   | X27036   | 1    | O.CONE SETS, F8-9              | 3    | X27047   | 1    | SHAFT, IMPLEMENT HALF W/SHIELD   |
| 20   | X18704   | 2    | CHAIN COMPLETE                 | 2    | X27046   | 1    | SHAFT, TRACTOR HALF W/SHIELD     |
| 19   | X18706   | 1    | I.BEARING, 8-9-0               | 1    | X27050   | 1    | SAFETY GUARD COMPLETE            |
| ITEM | PART NO. | QTY. | DESCRIPTION                    | ITEM | PART NO. | QTY. | DESCRIPTION                      |

|  |      |         |                         |       |           |  |             |          |
|--|------|---------|-------------------------|-------|-----------|--|-------------|----------|
|  | B    | 9-15-95 | REVISED                 | DATE  | 2-3-95    | 1-3/8-21 PTO RA2 (1000 RPM)<br>- FULL & SEMI-MOUNT - | REF. NO.    | 27029    |
|  | REV. | DATE    | DESCRIPTION OF REVISION | SCALE | 1/4" = 1" |  | DRAWING NO. | SC500157 |



# BALZER INC.



MOUNTAIN LAKE

